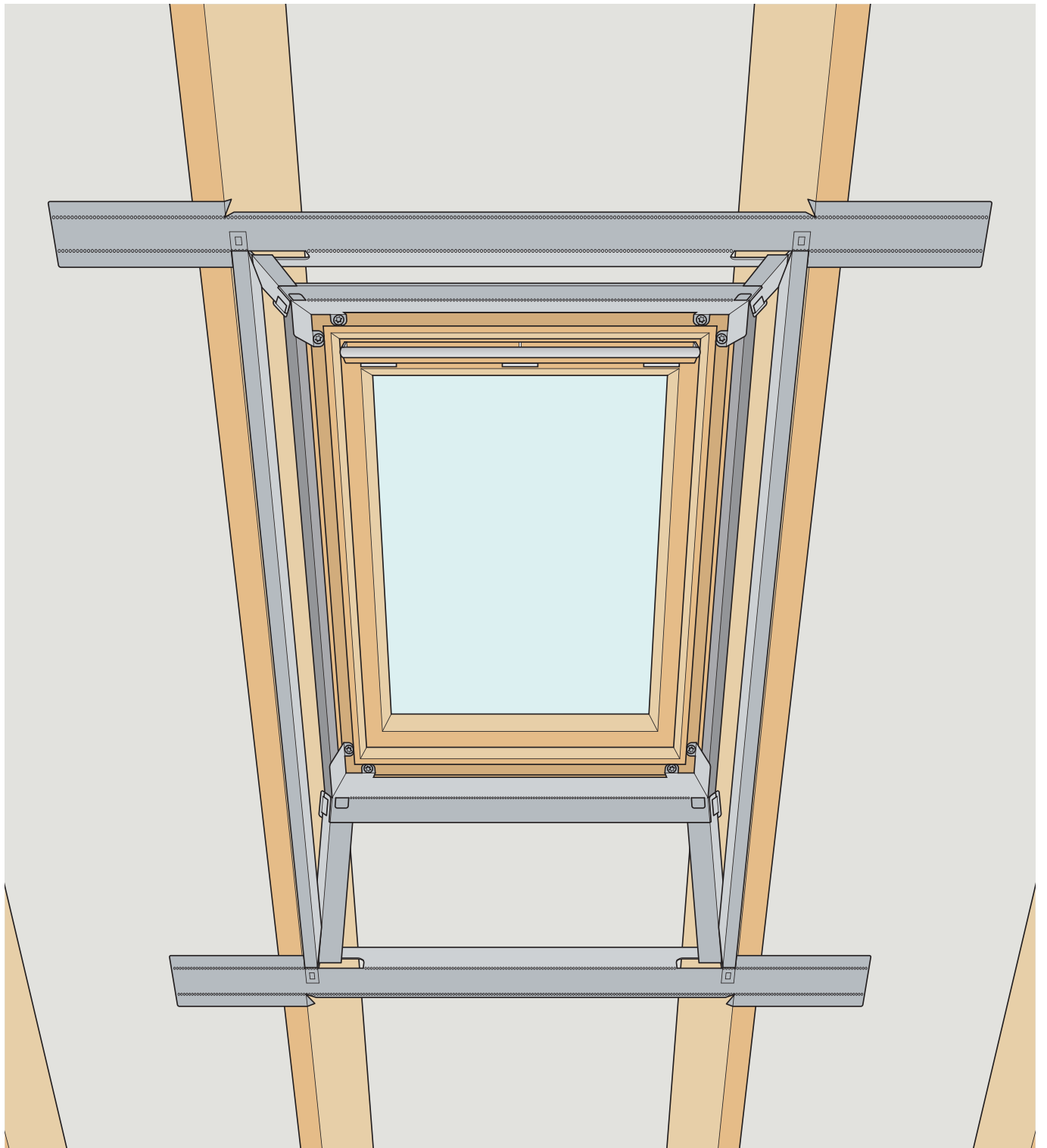
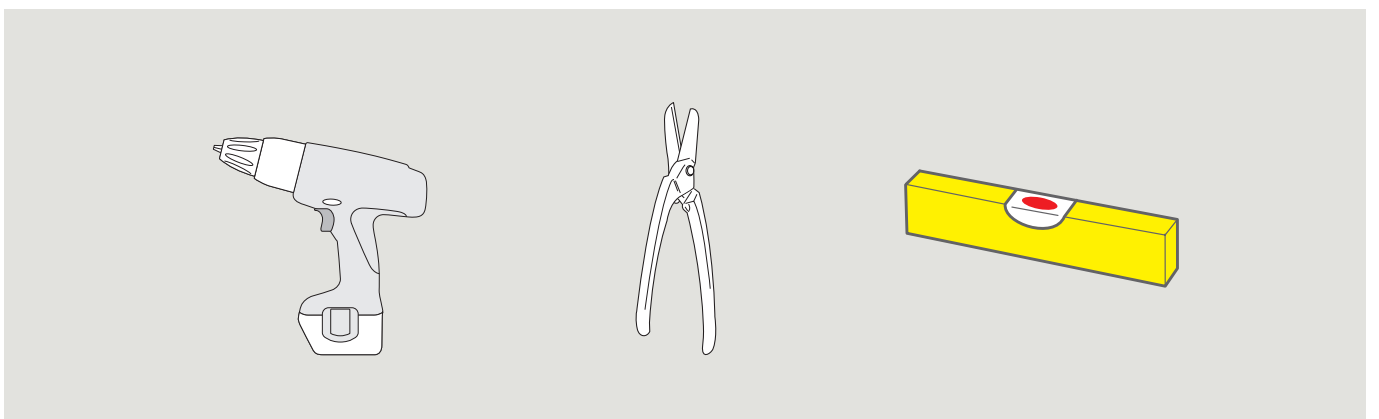
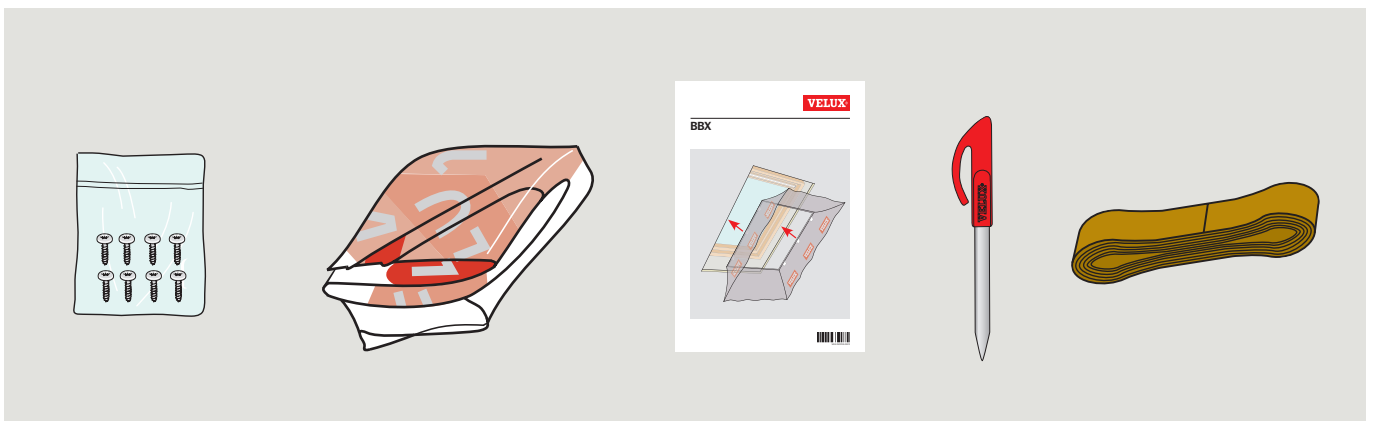
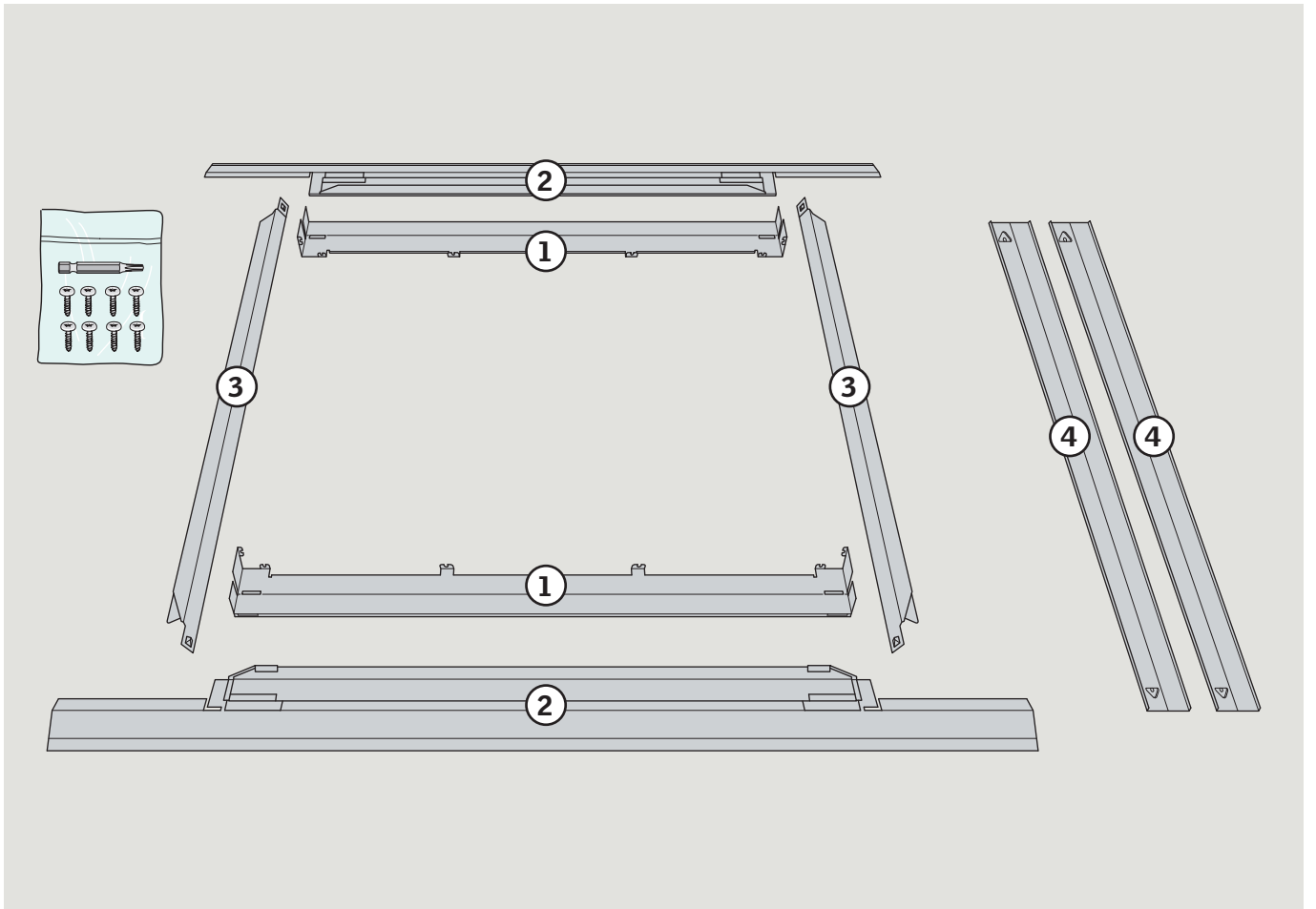
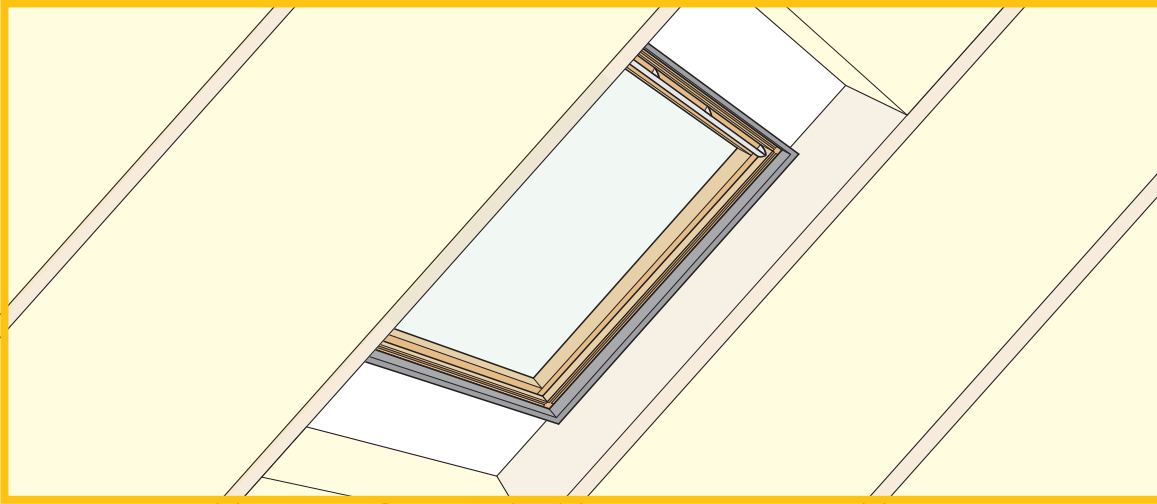


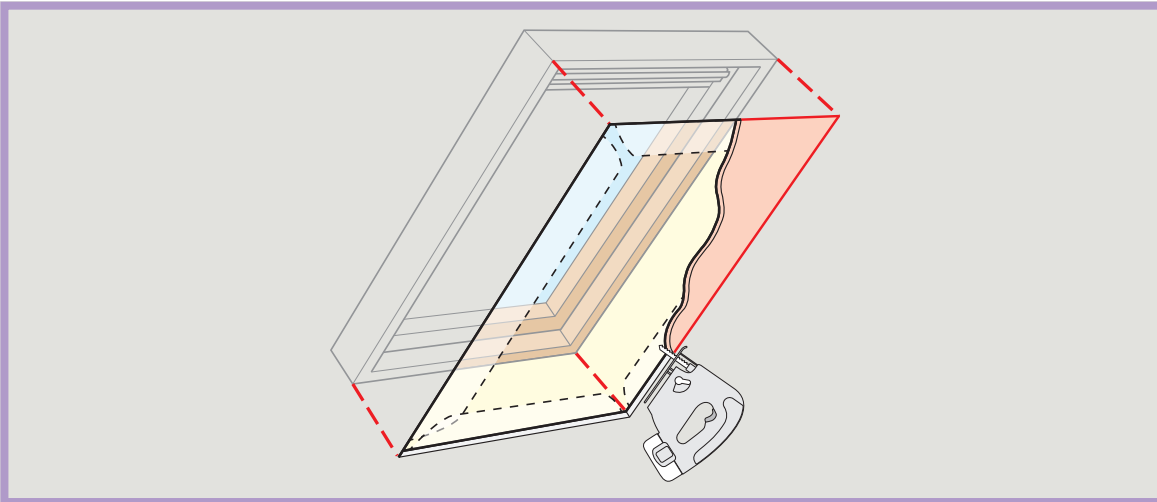
# LSG



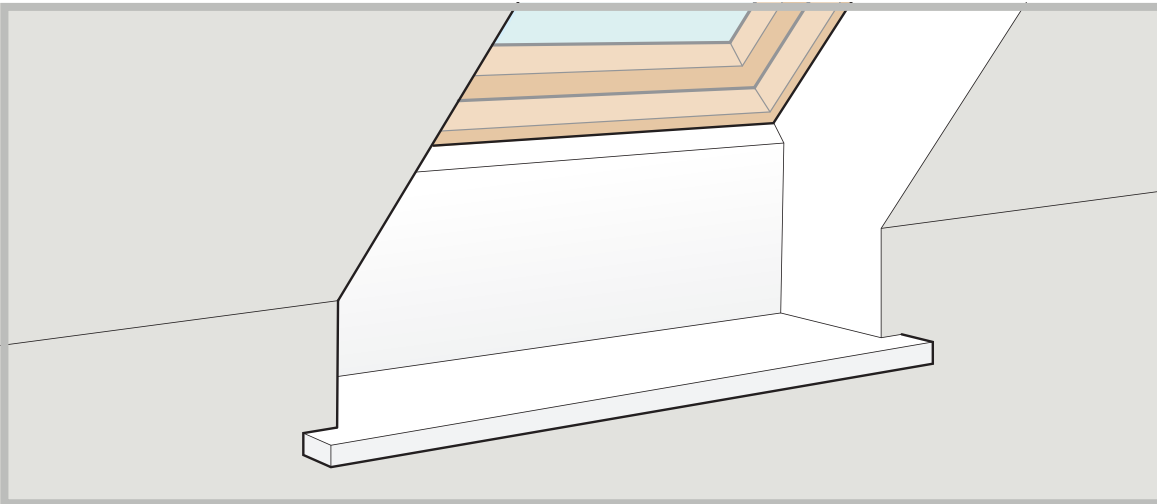




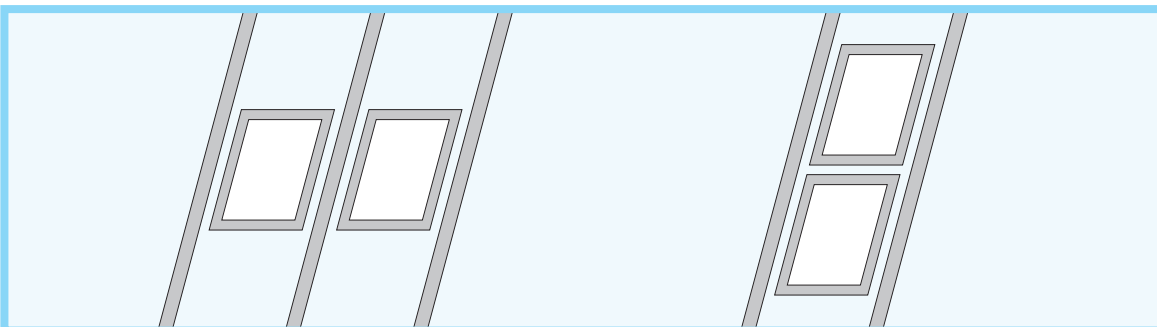
Page 4



Page 17

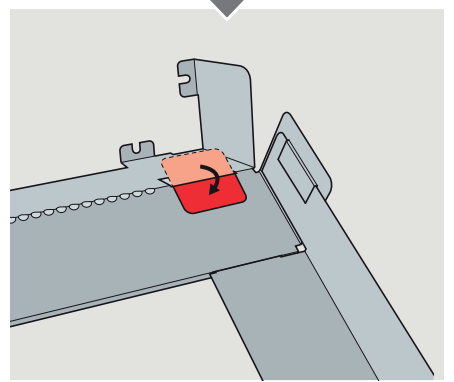
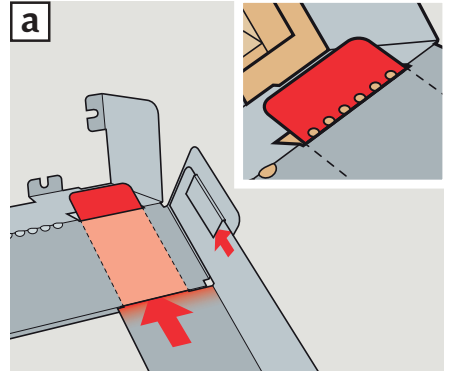
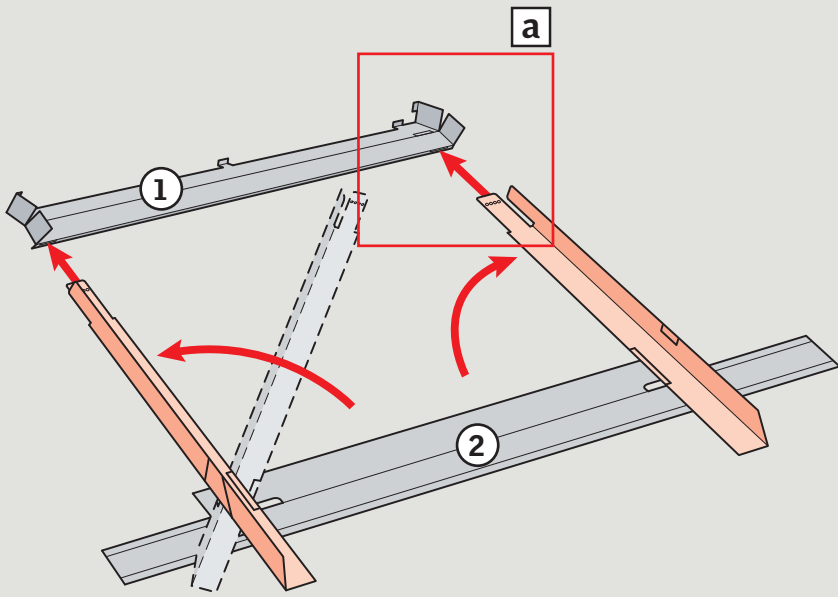


Page 32

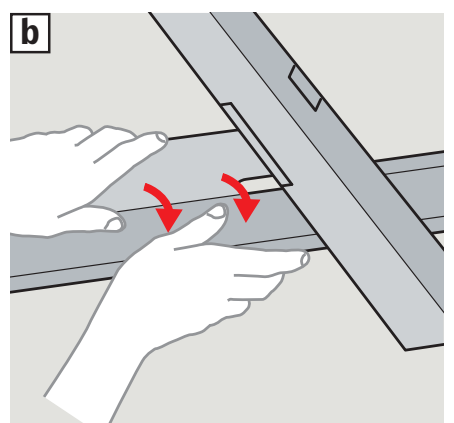
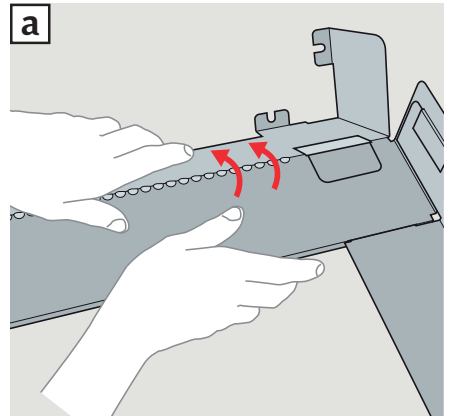
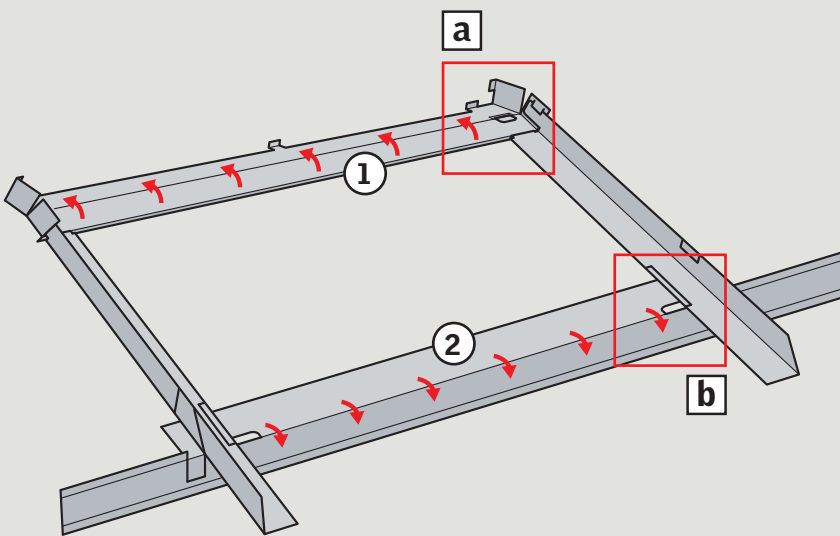


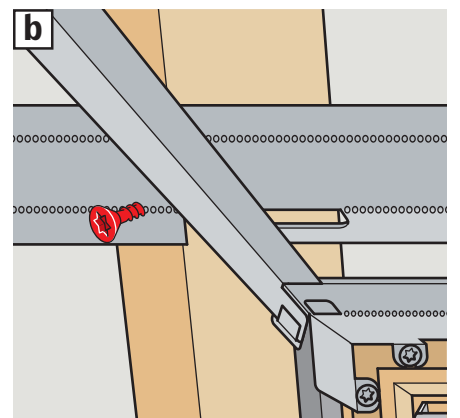
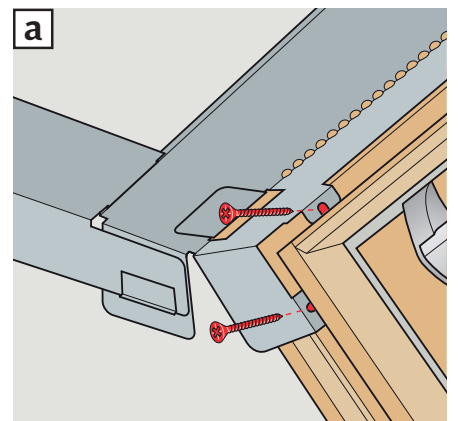
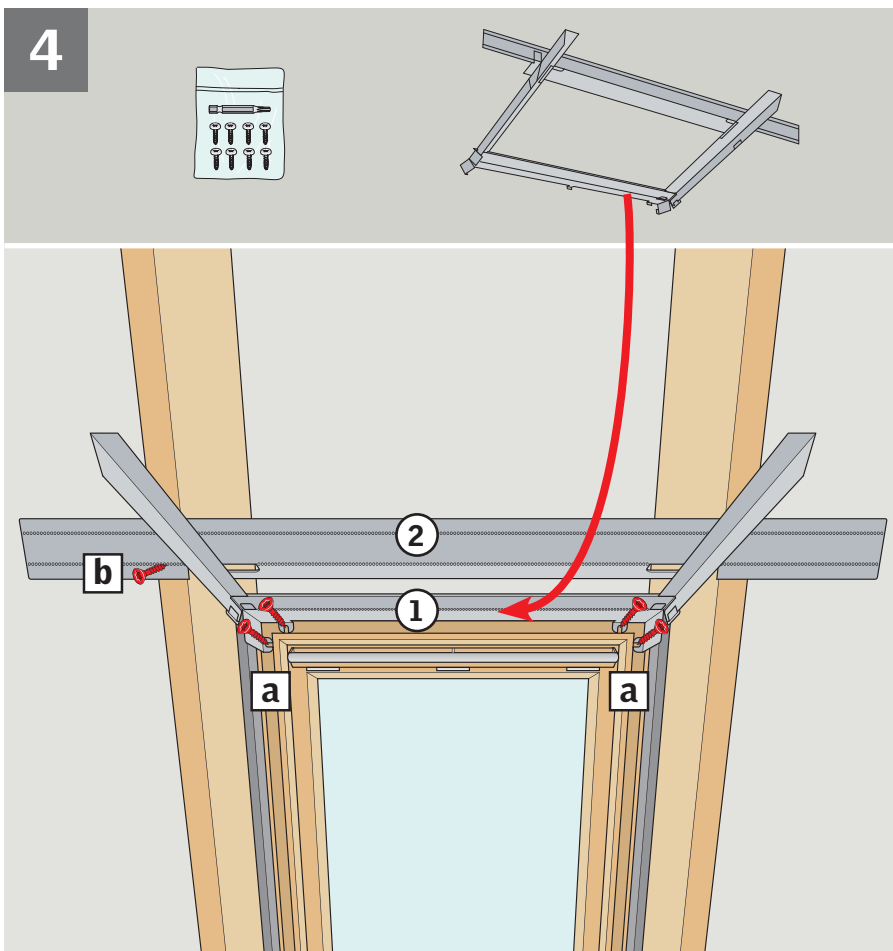
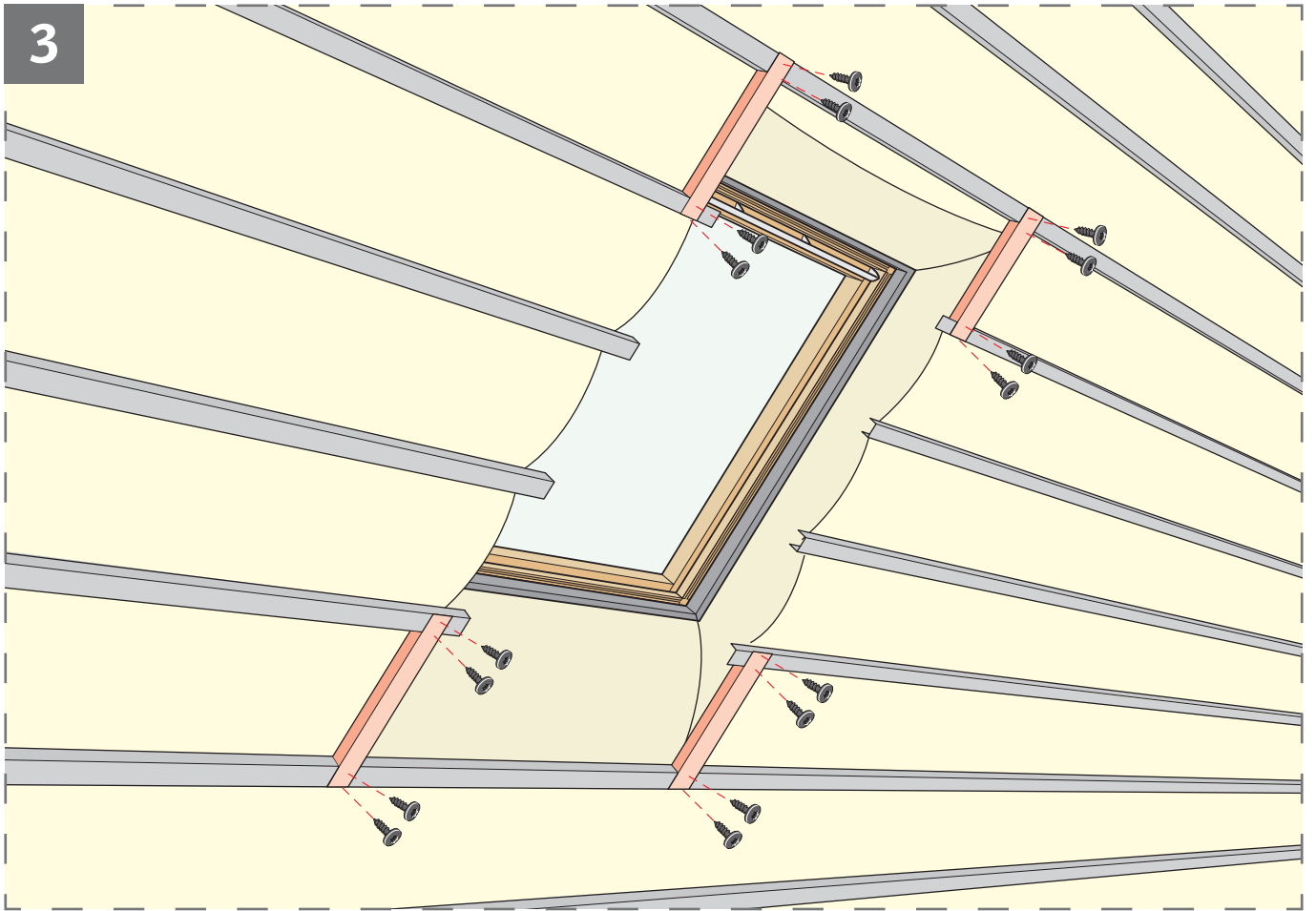
Page 38

1

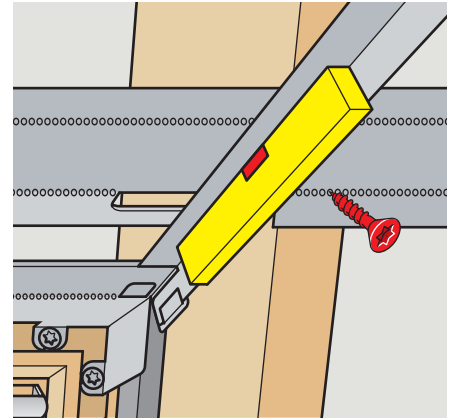
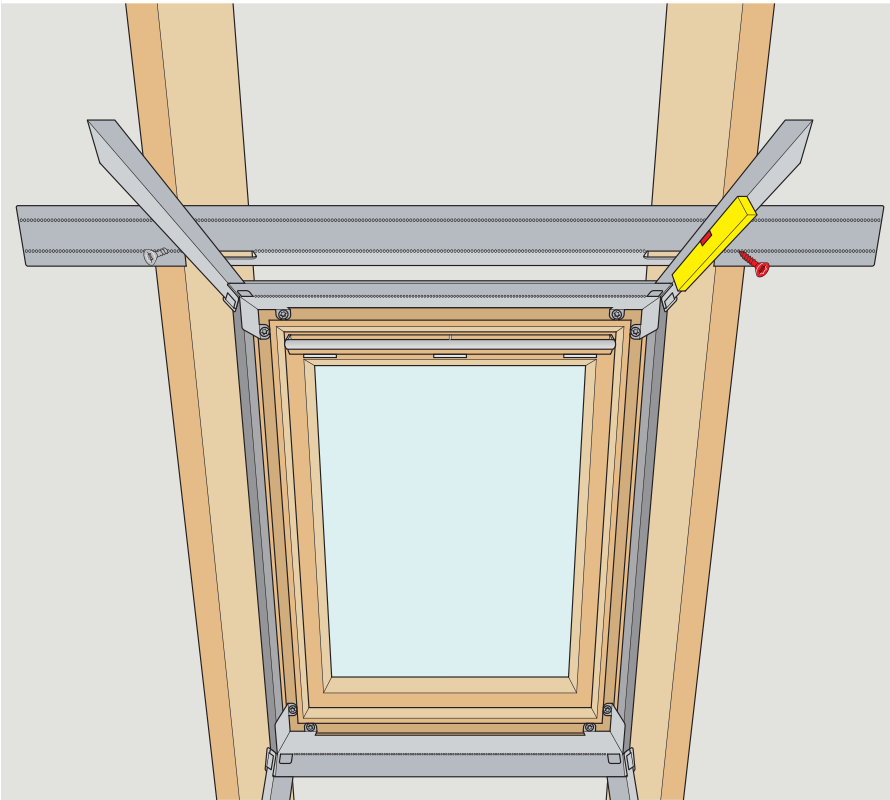
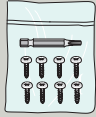


2

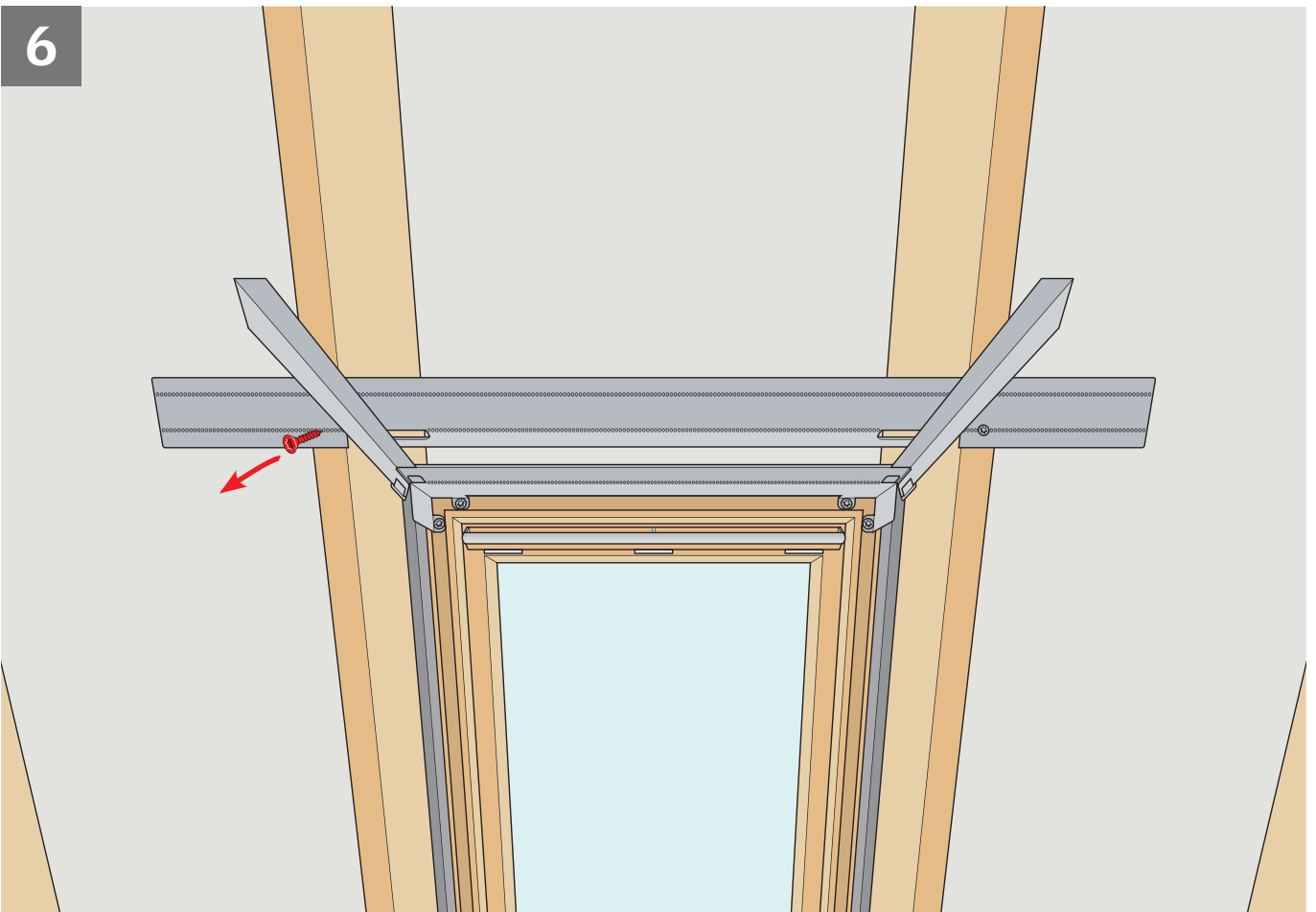




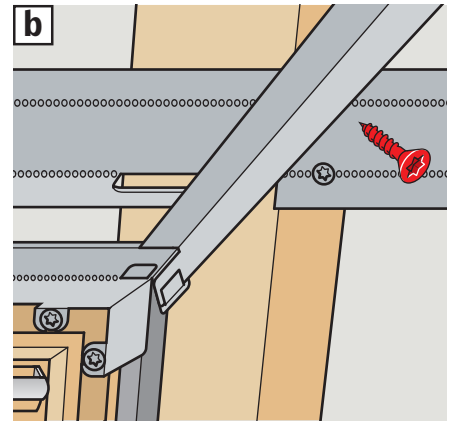
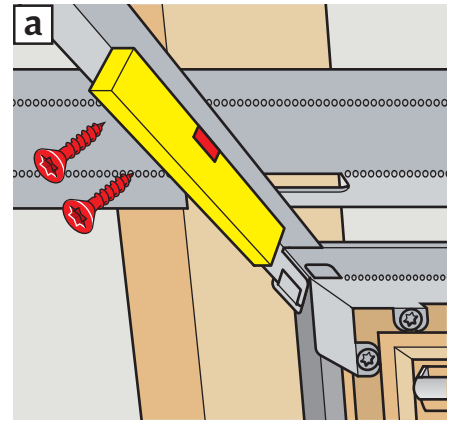
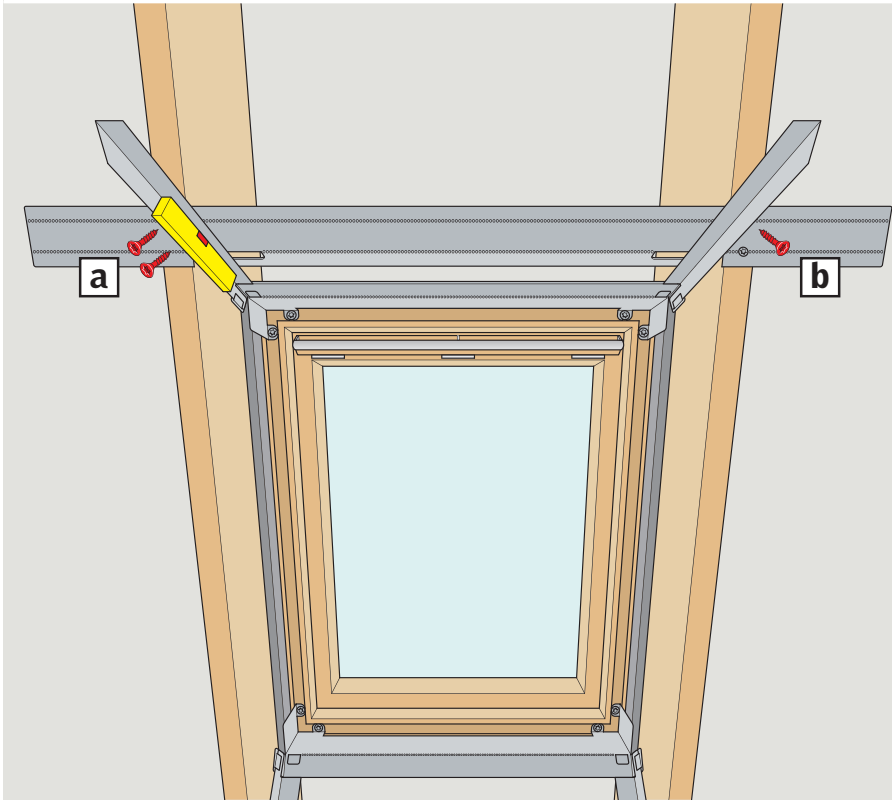
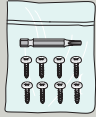
5



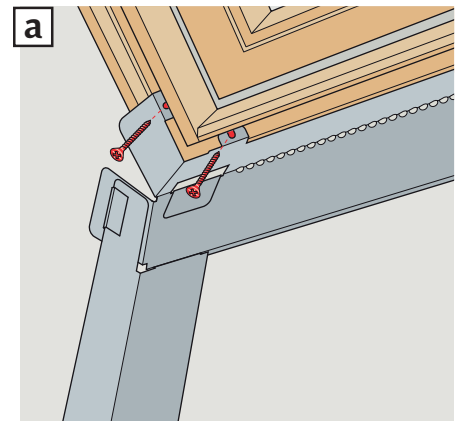
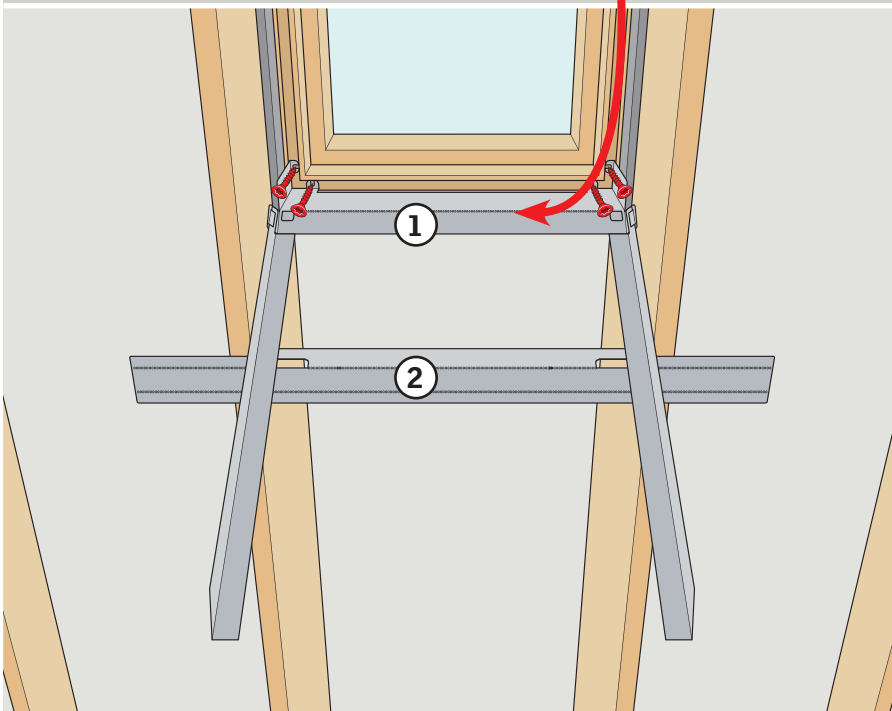
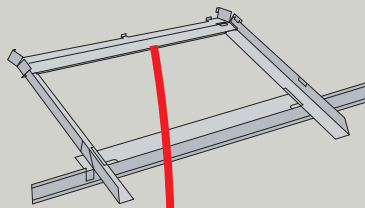
6



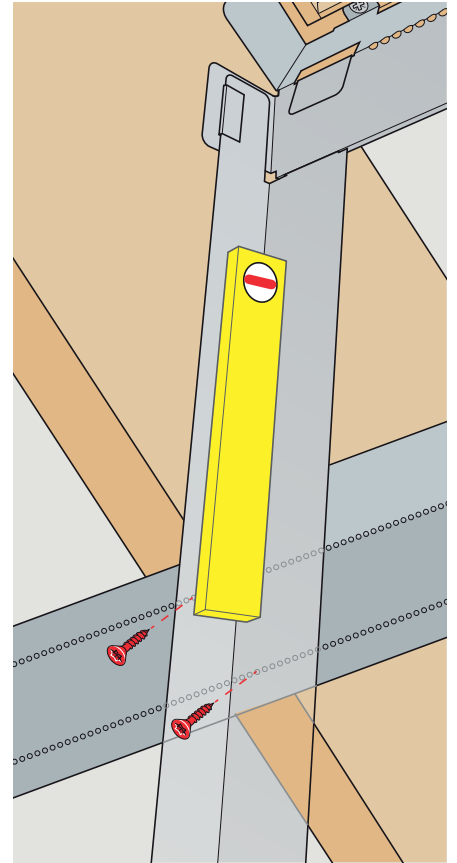
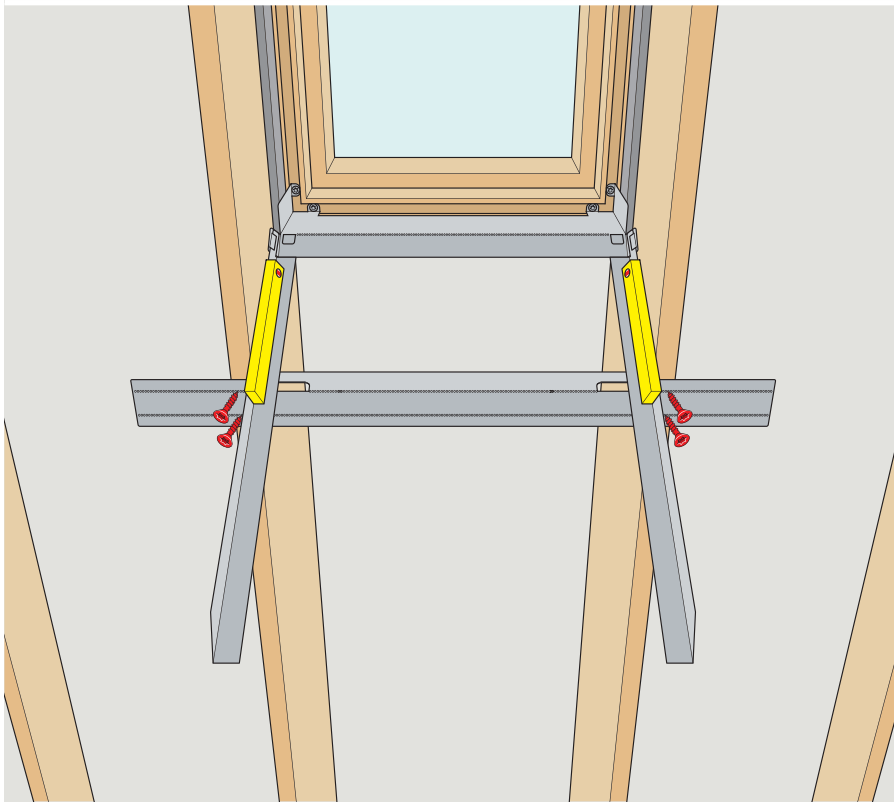
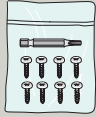
7



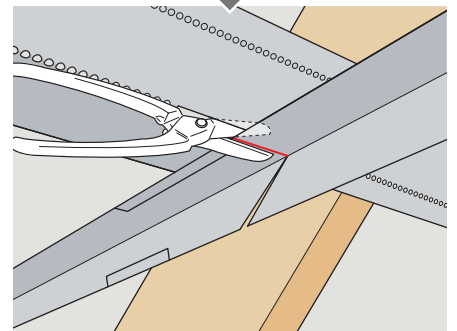
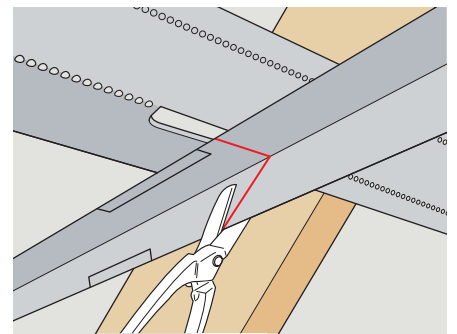
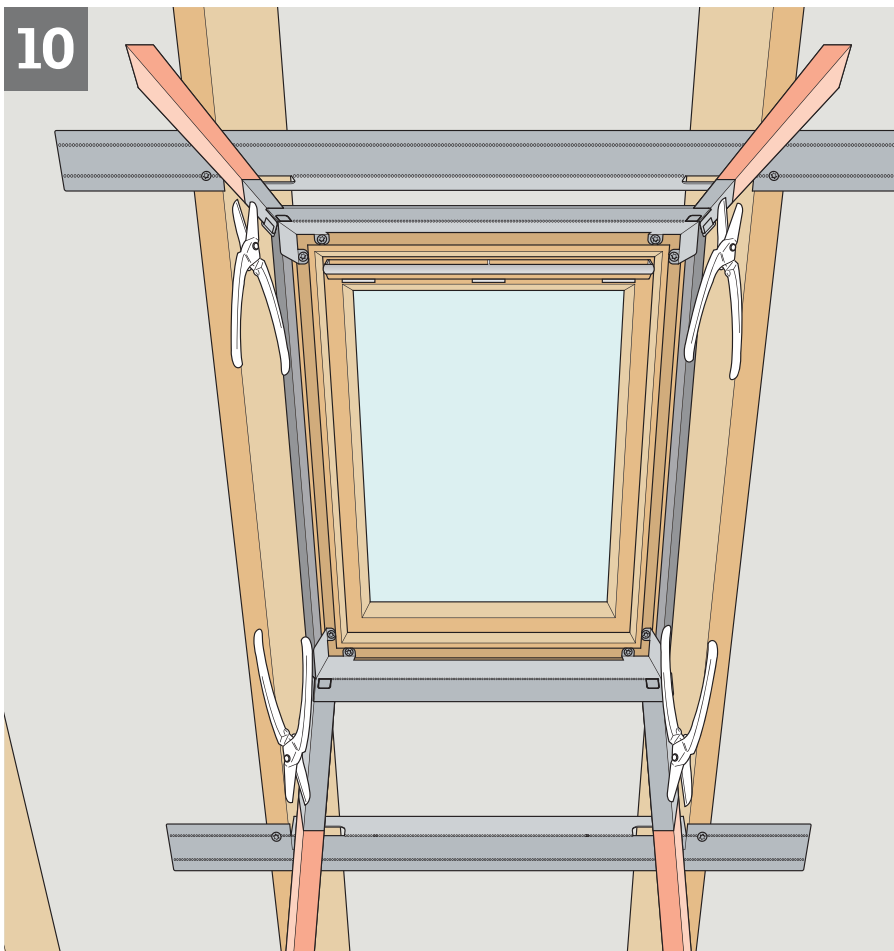
8



9

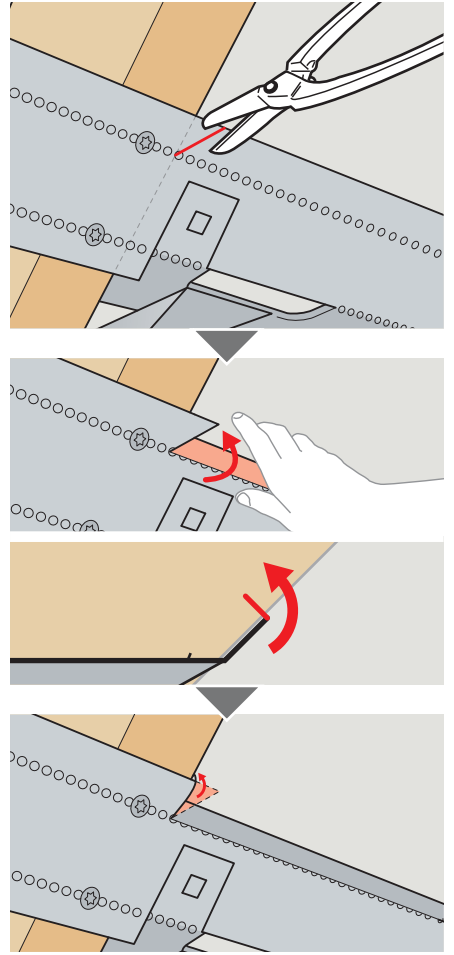
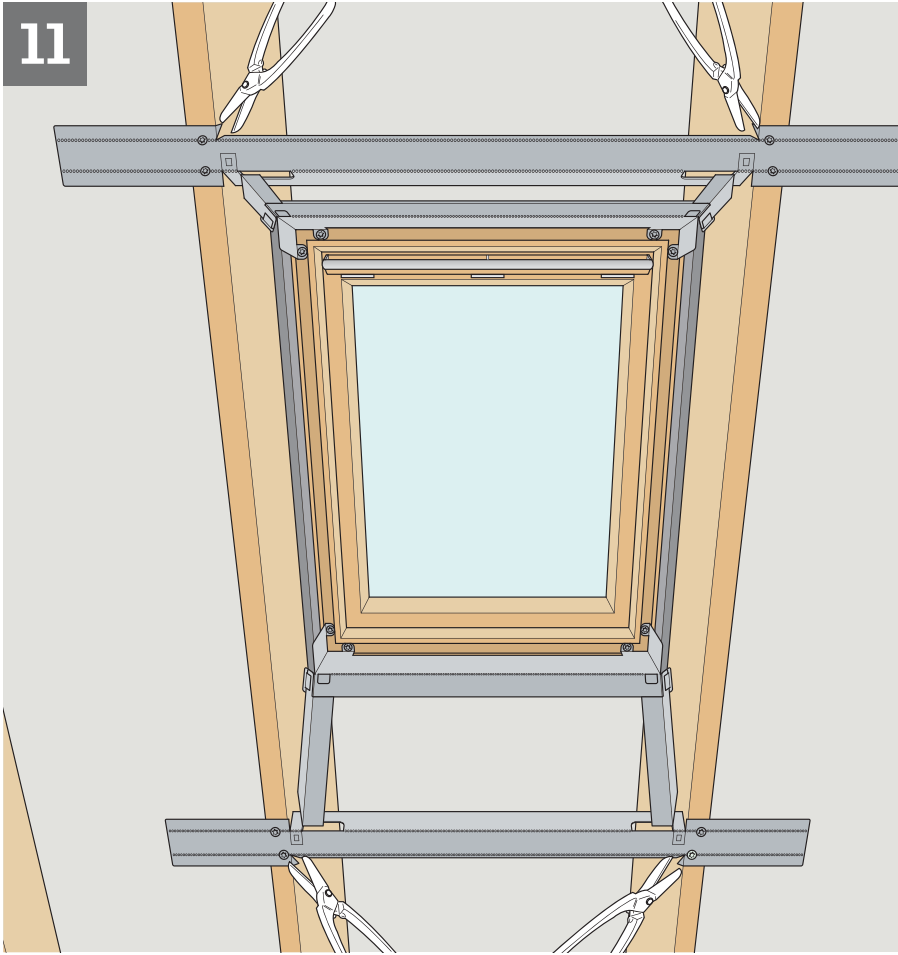


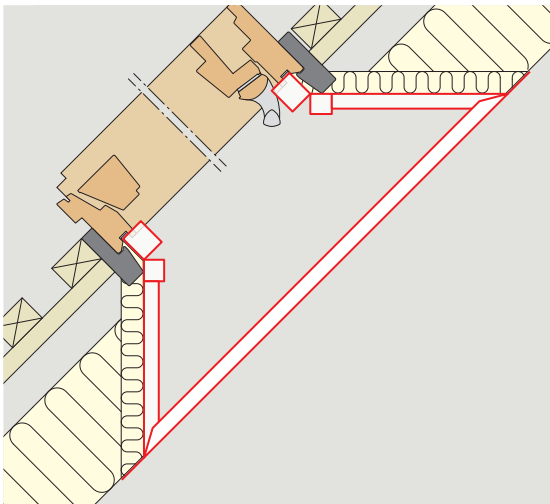
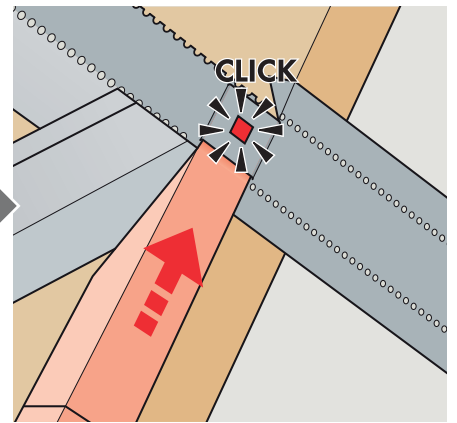
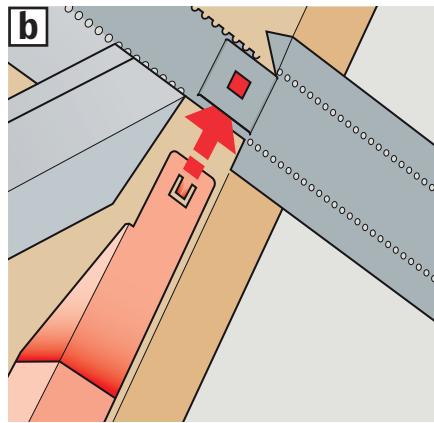
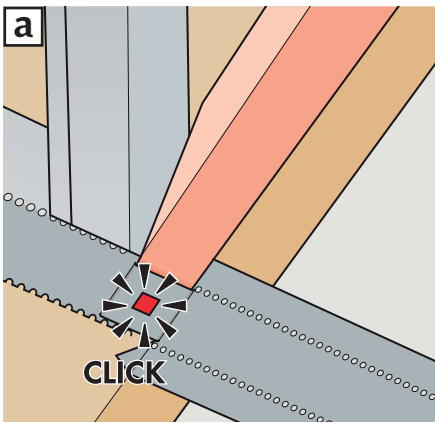
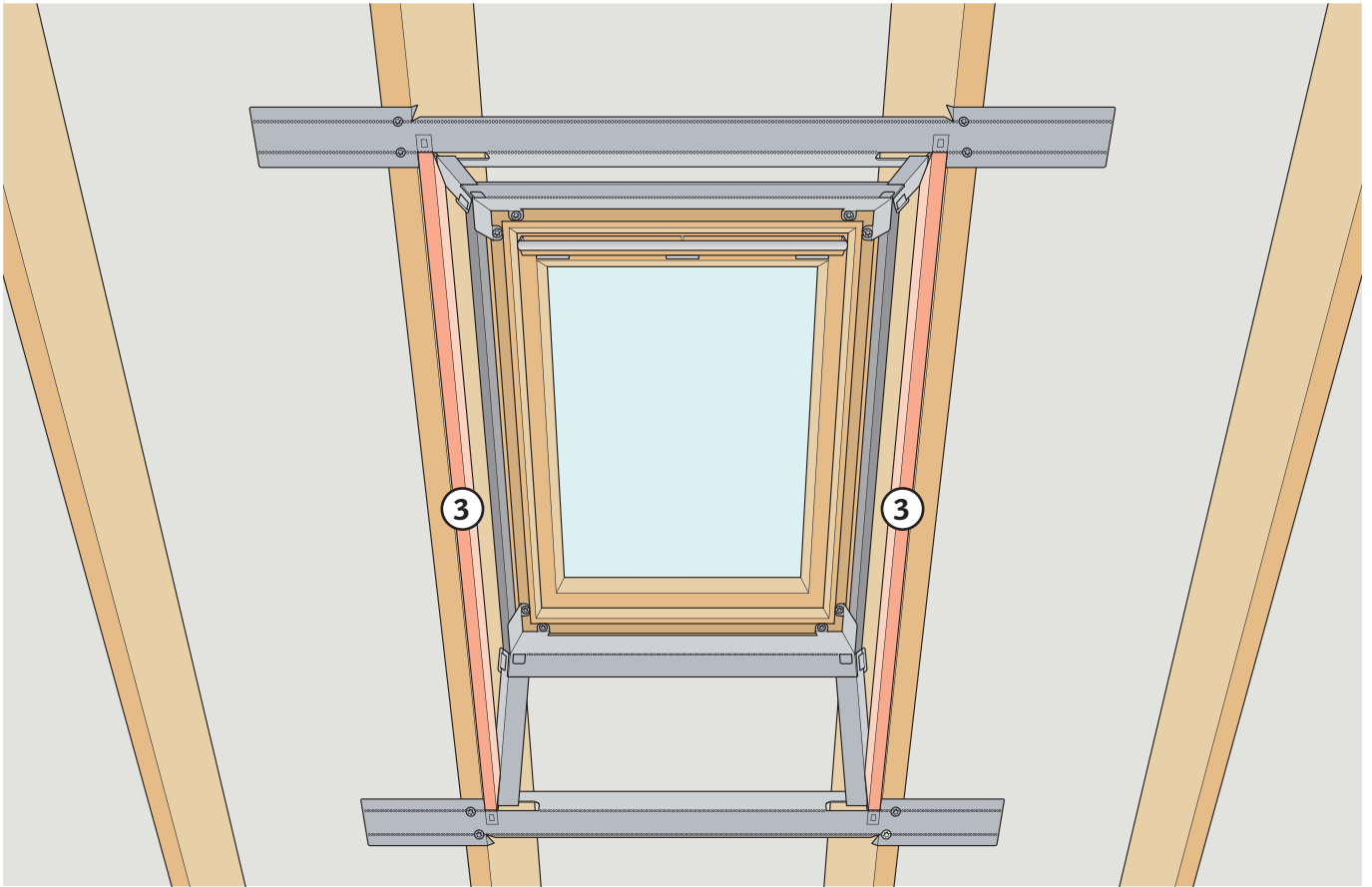
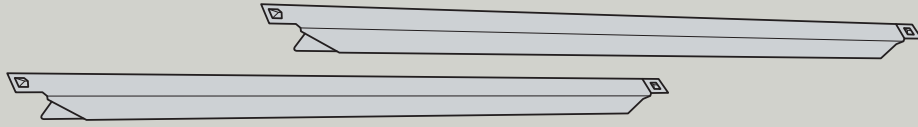
10



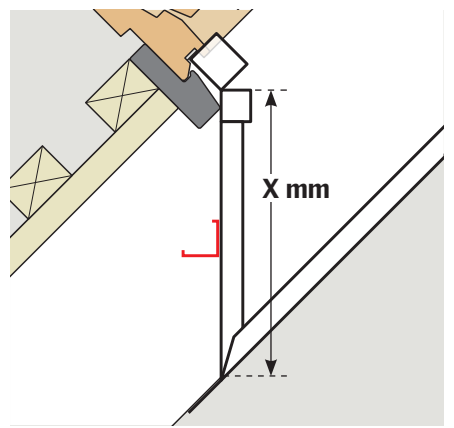
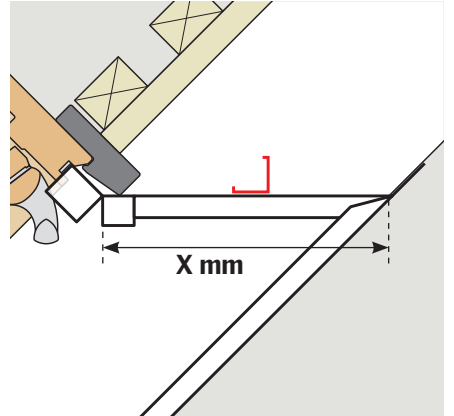
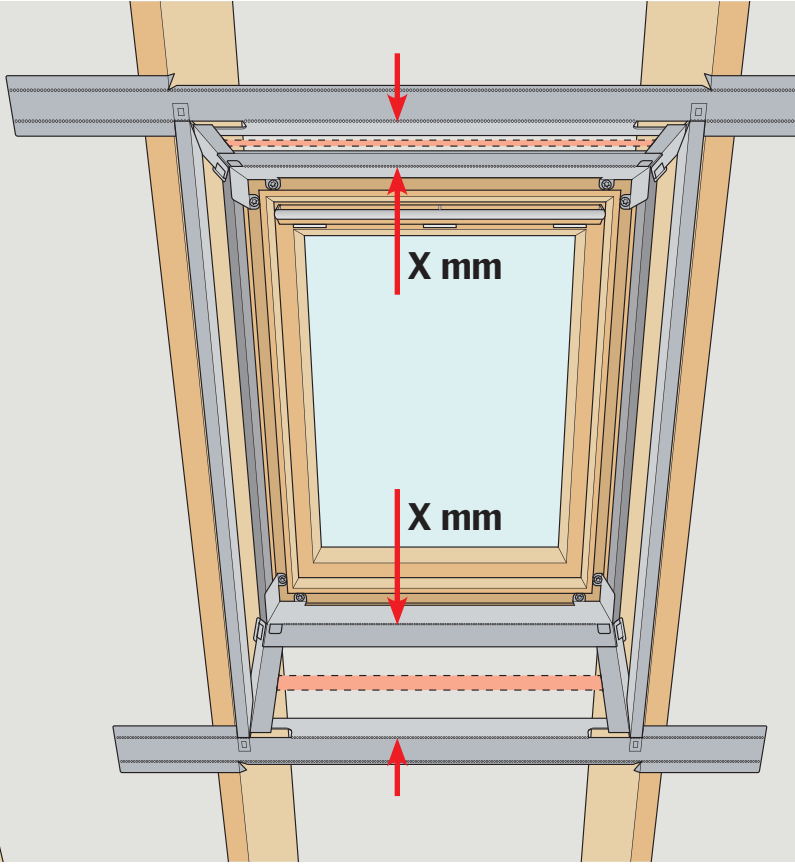


11

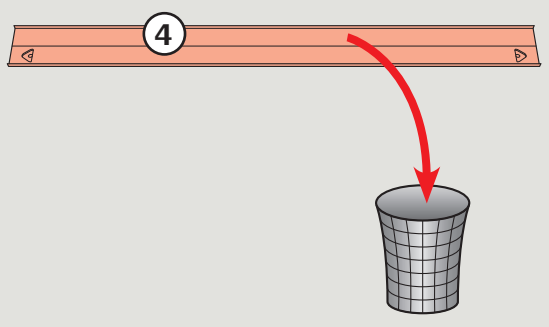




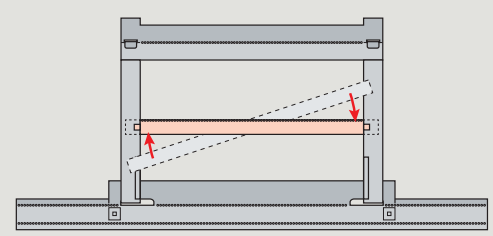
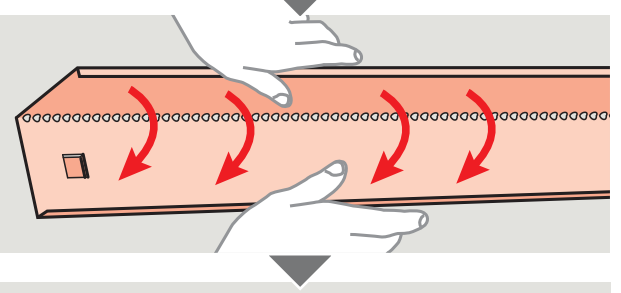
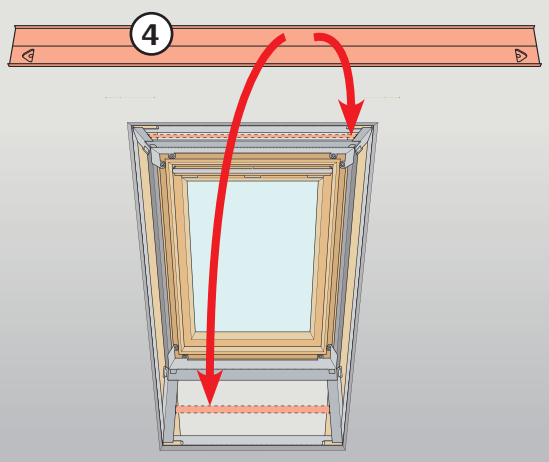
13

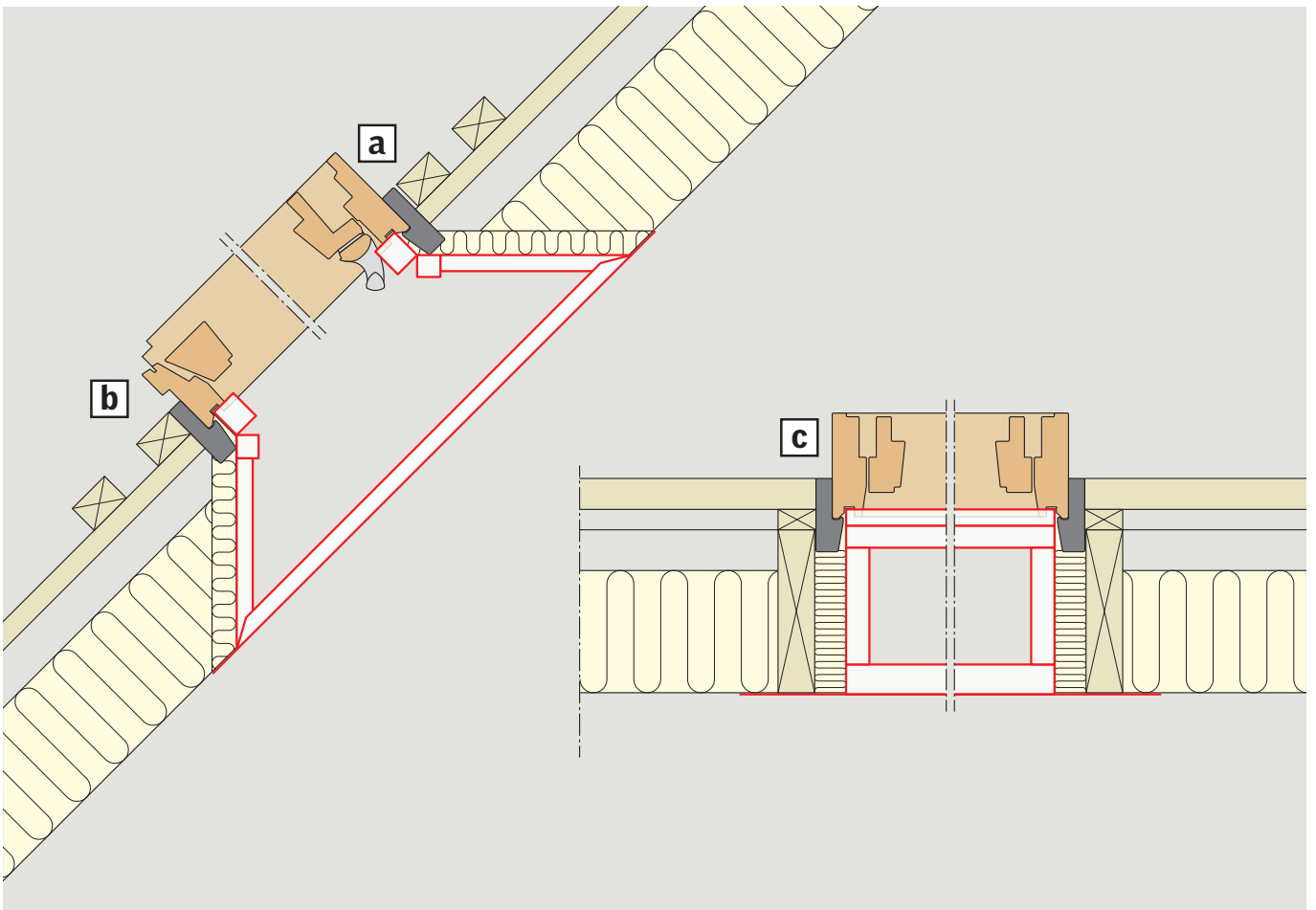
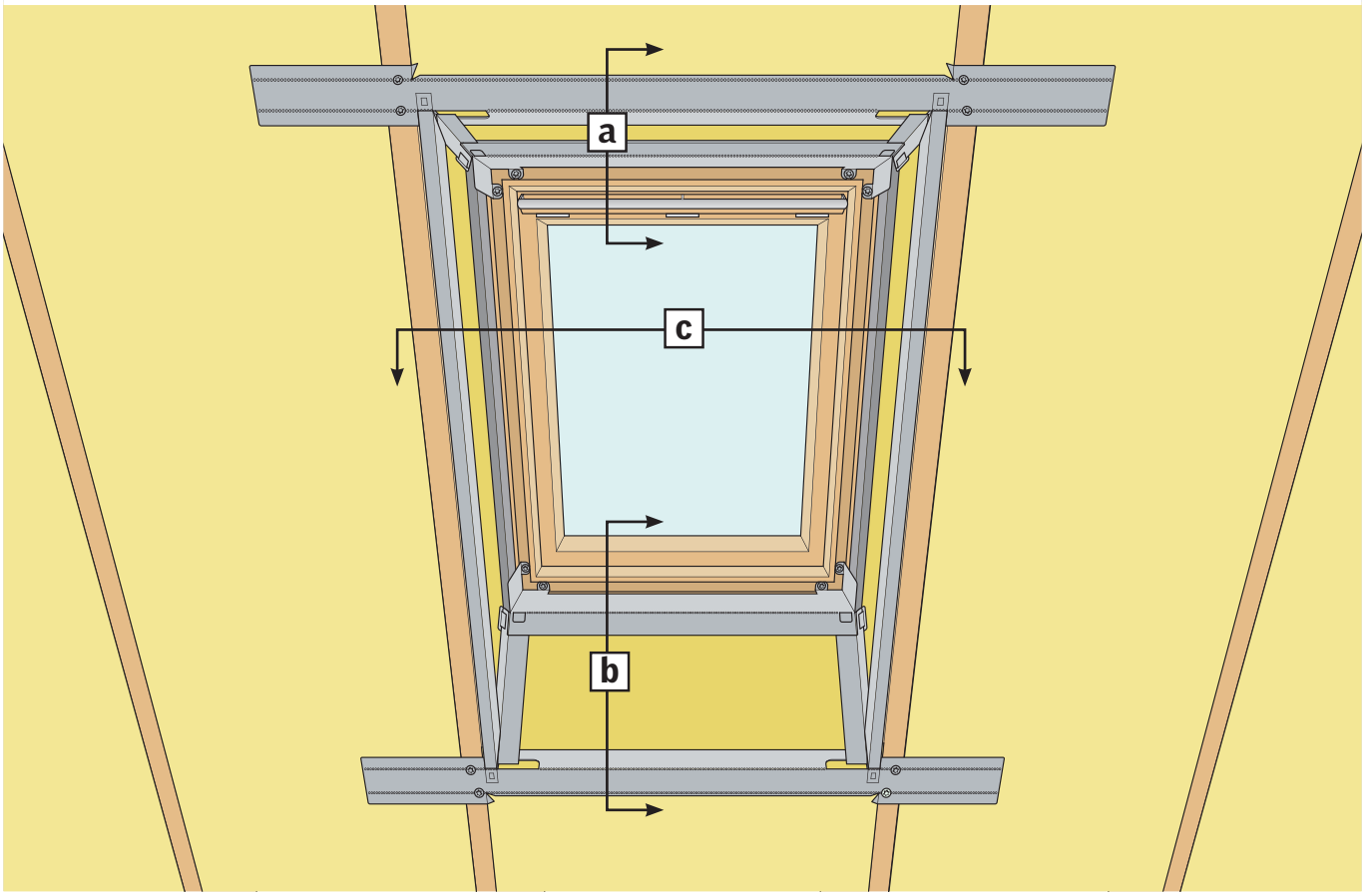


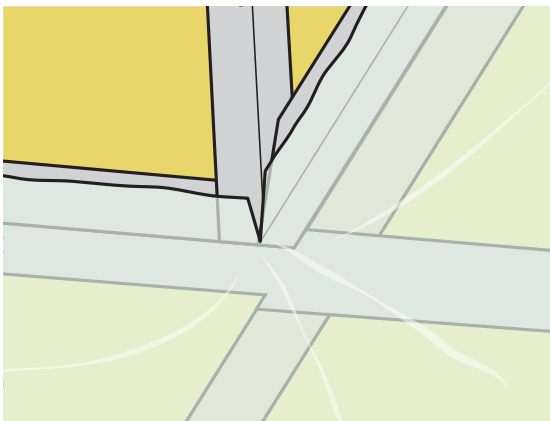
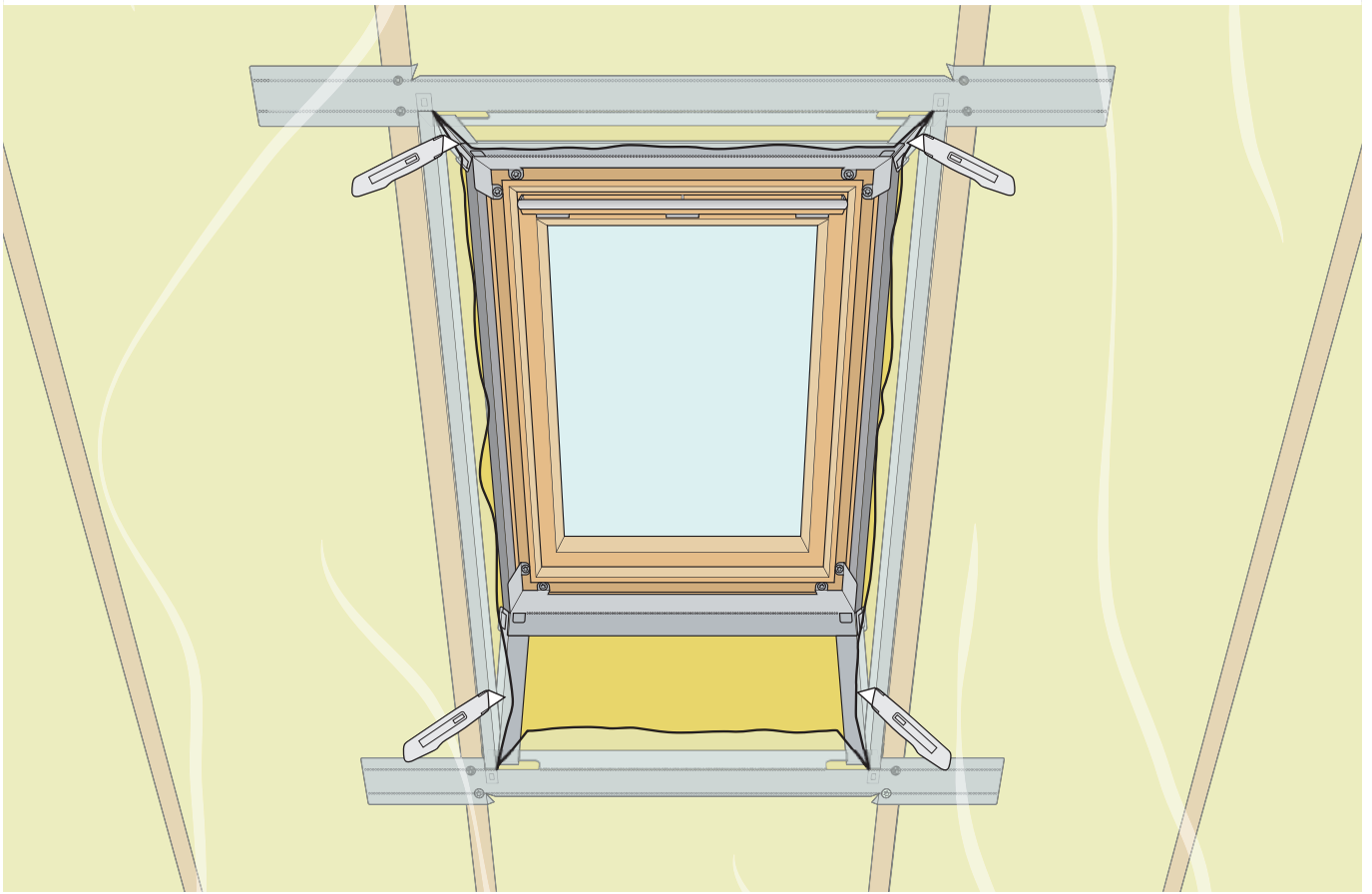
X = 0-29 cm

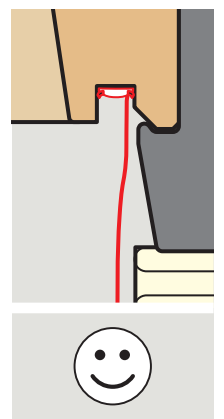
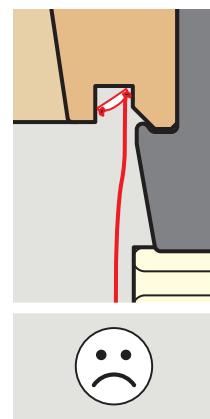
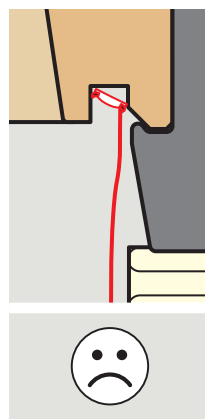
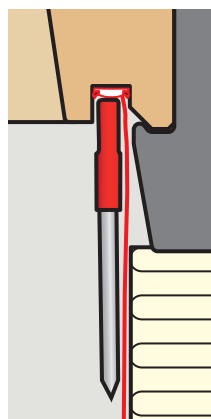
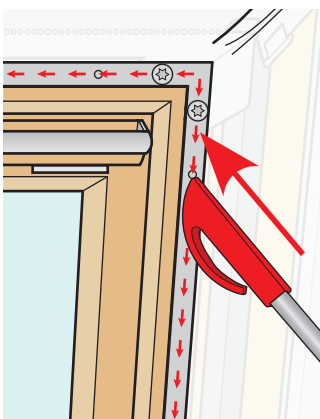
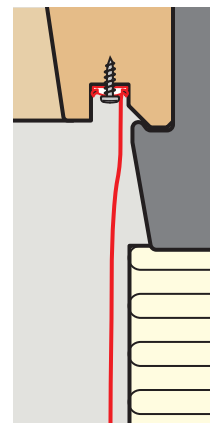
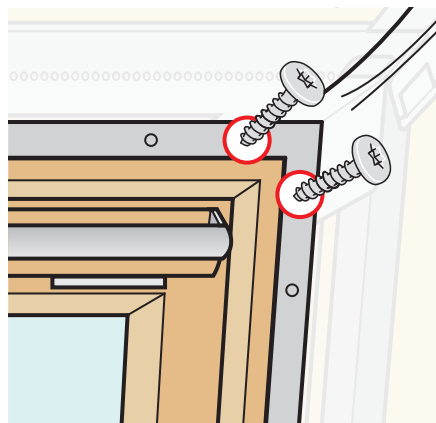
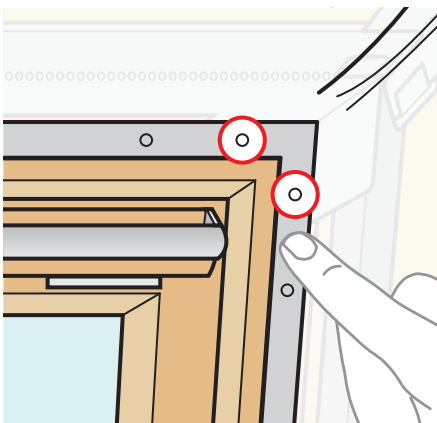
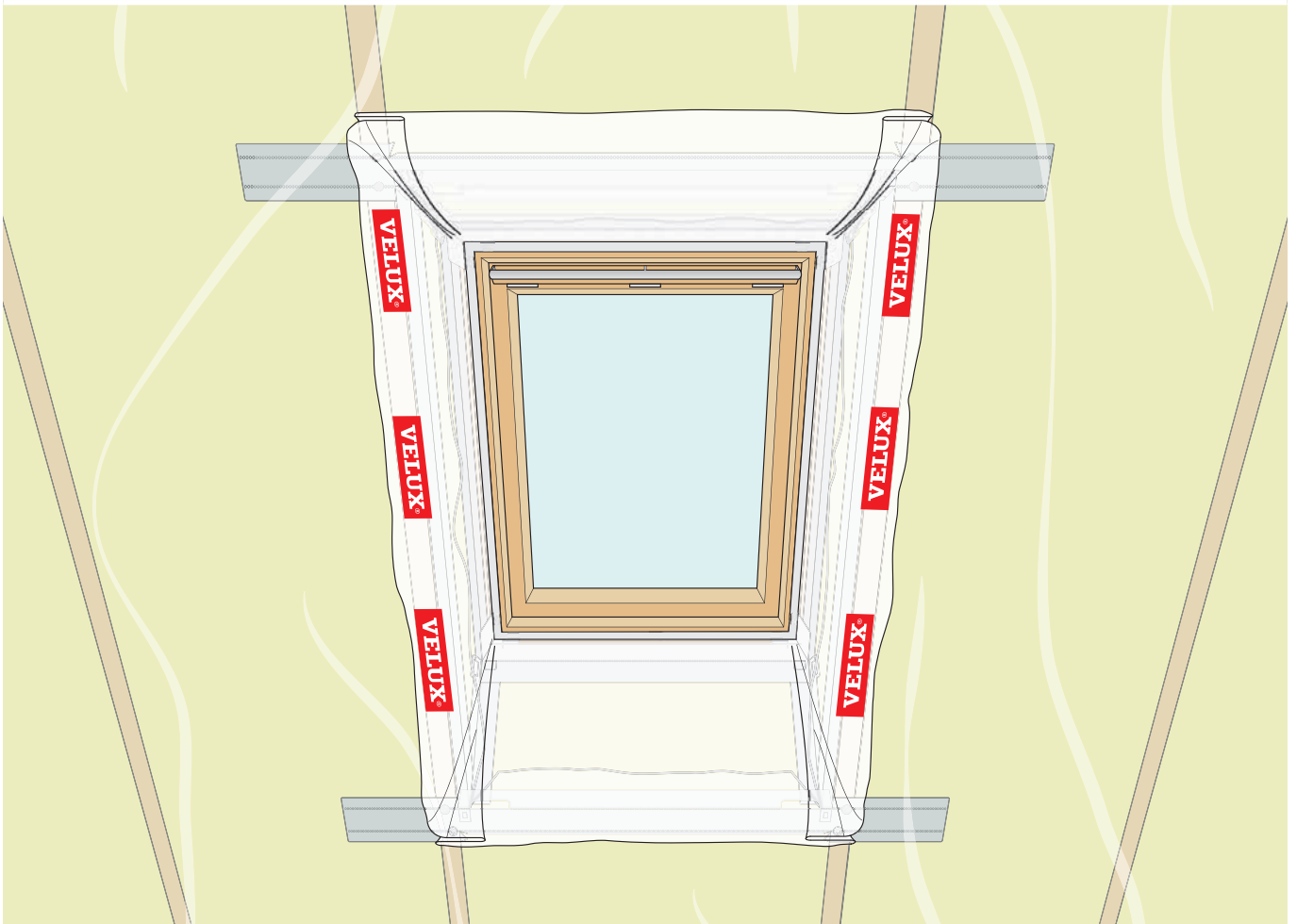
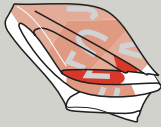


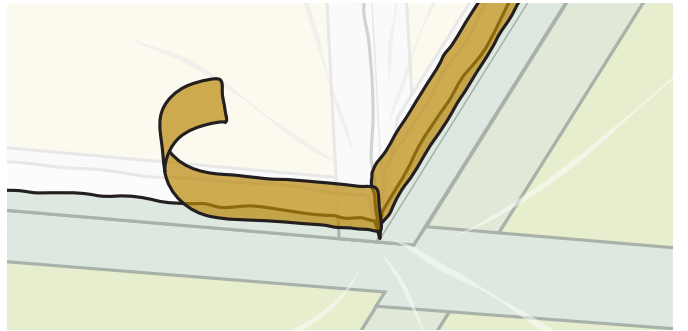
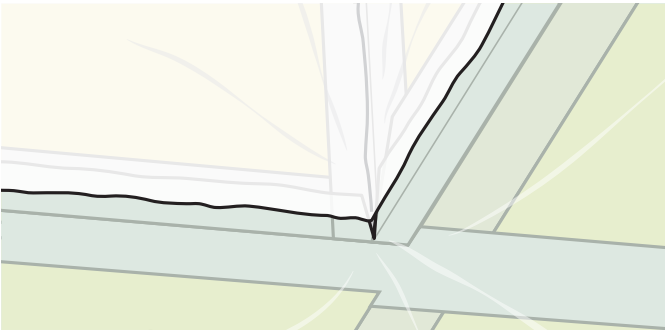
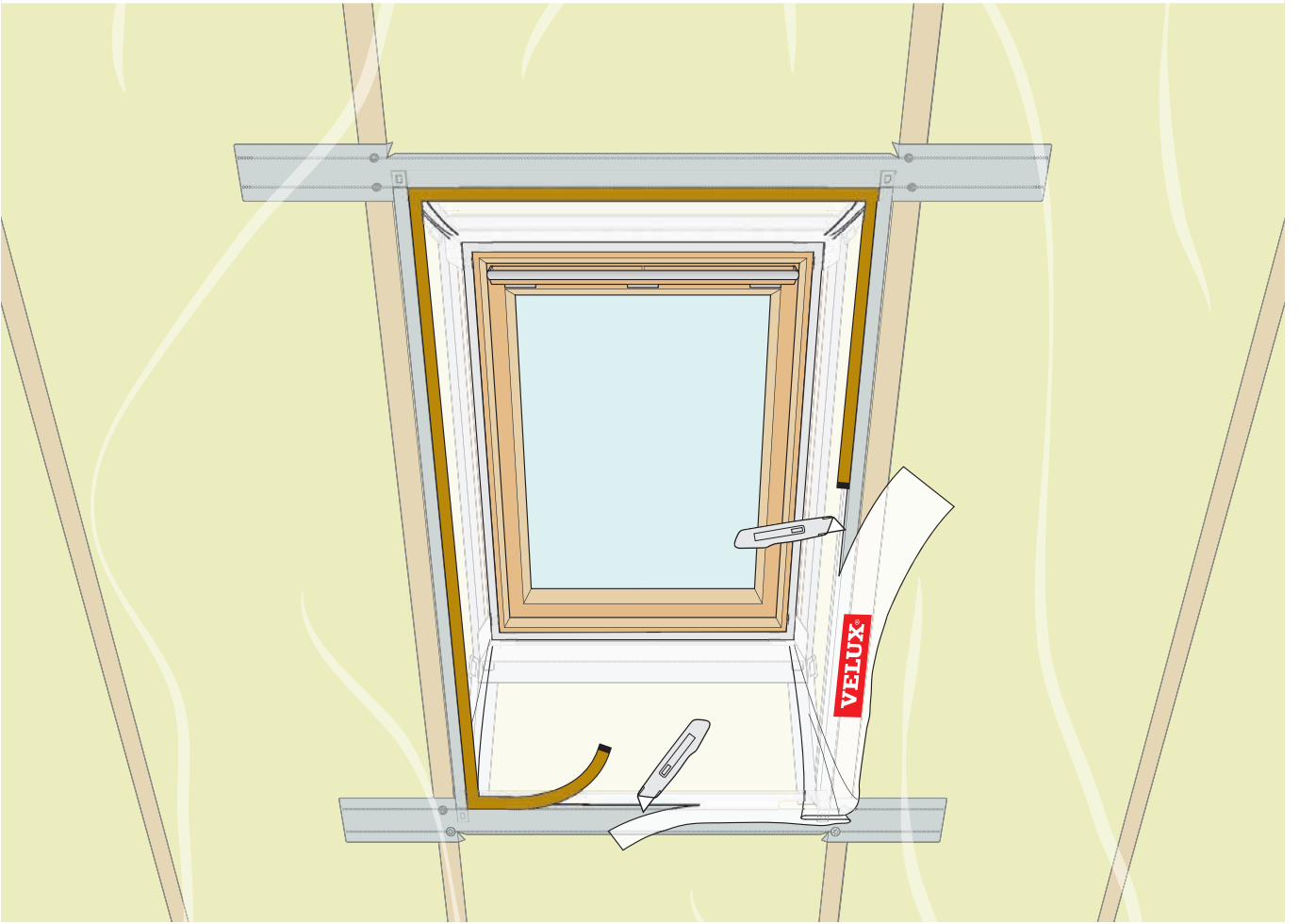
X = 30-60 cm



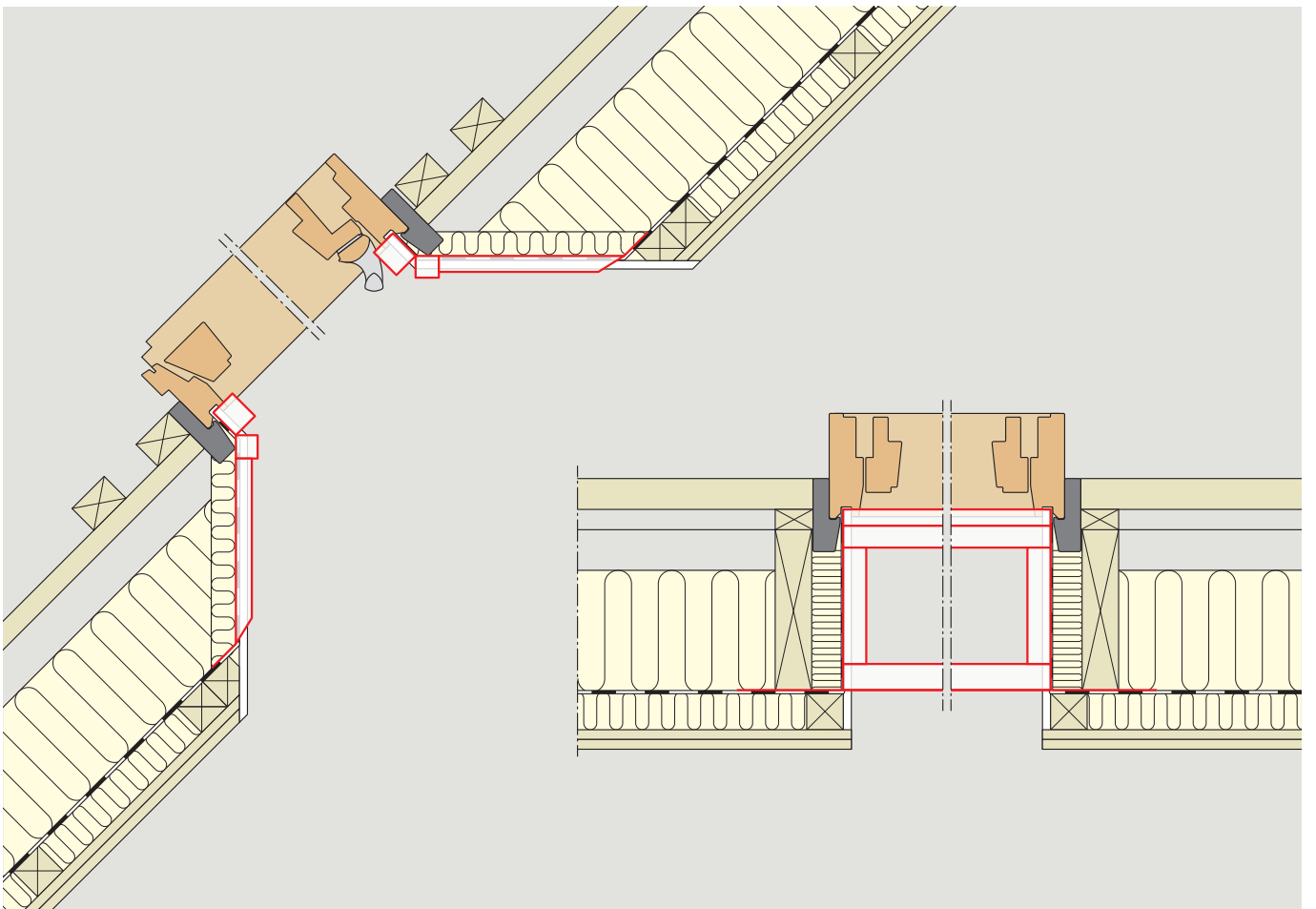
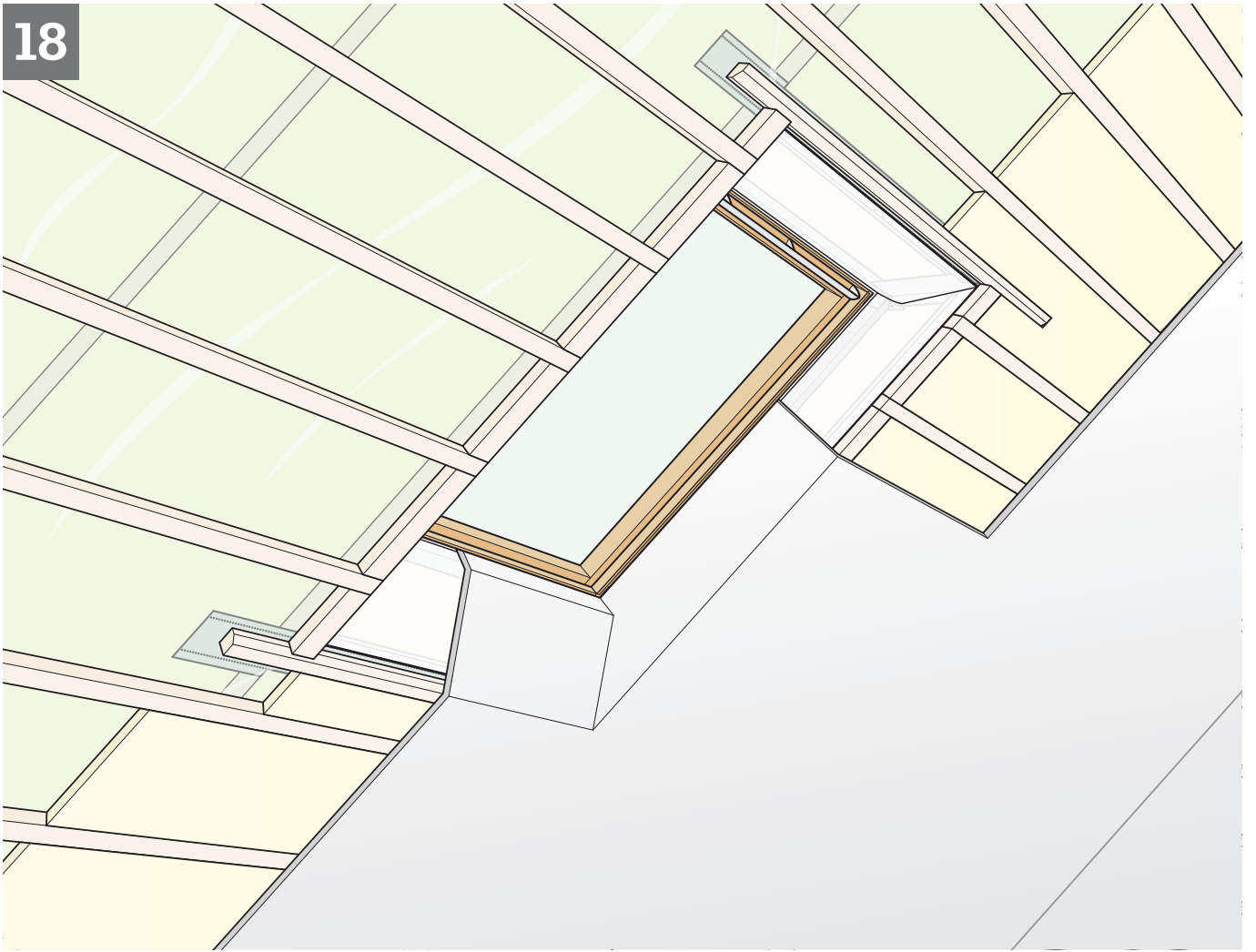




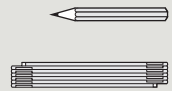
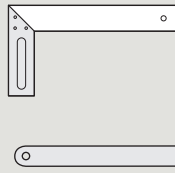
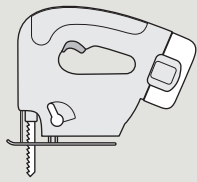




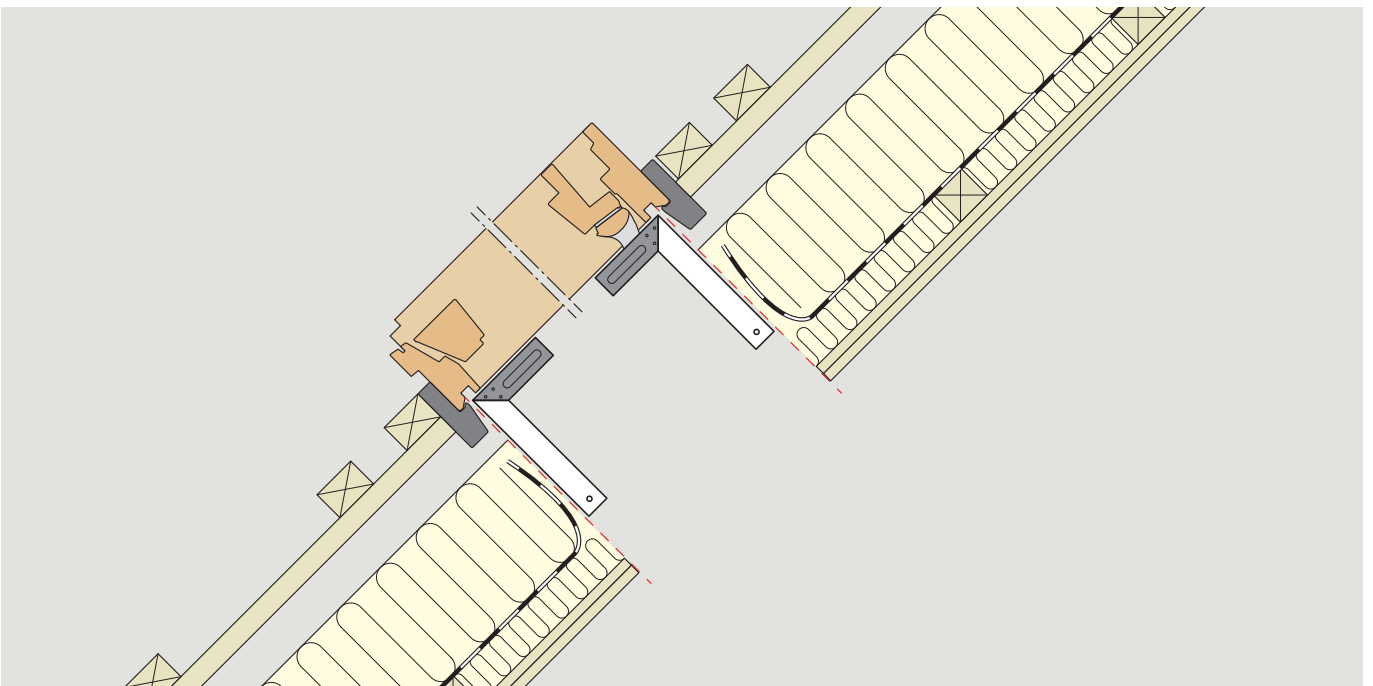
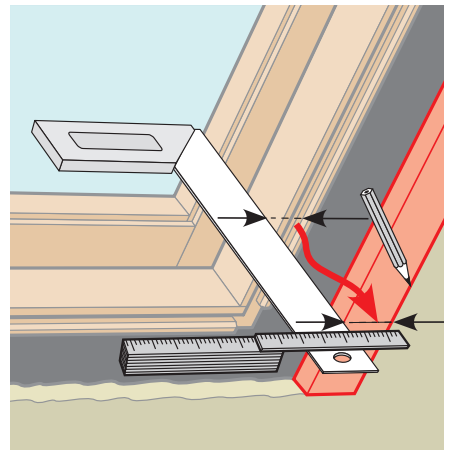
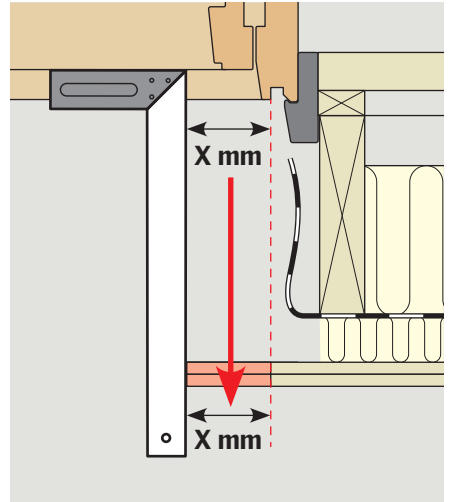
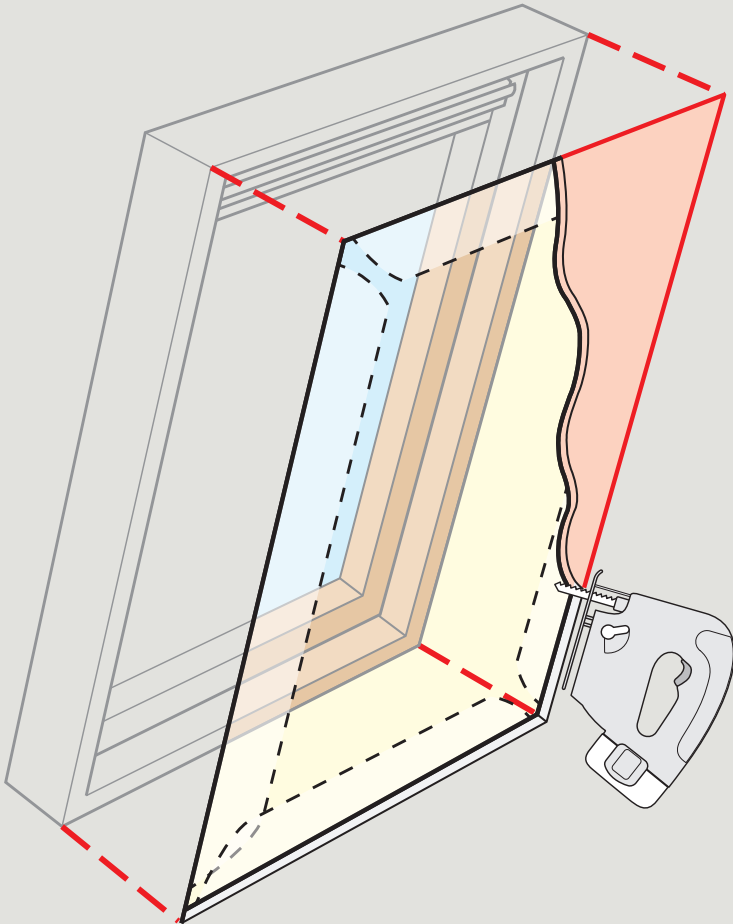
18



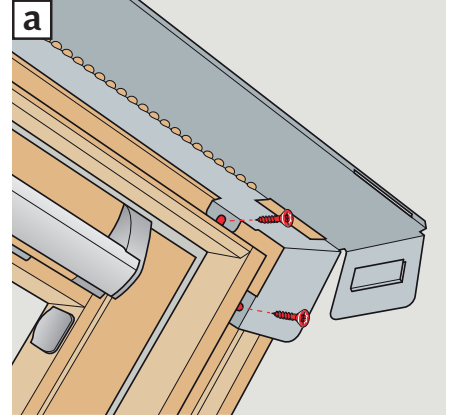
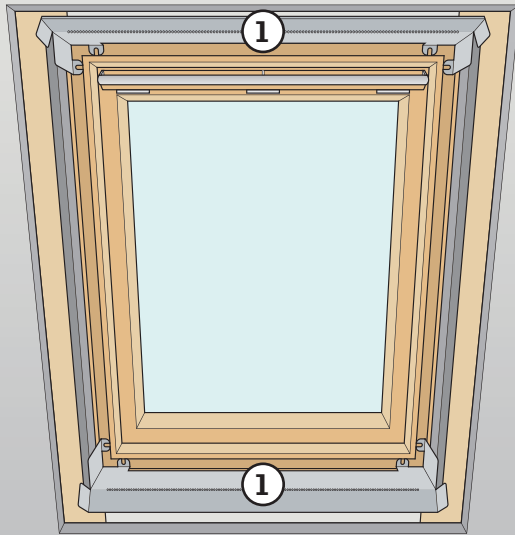




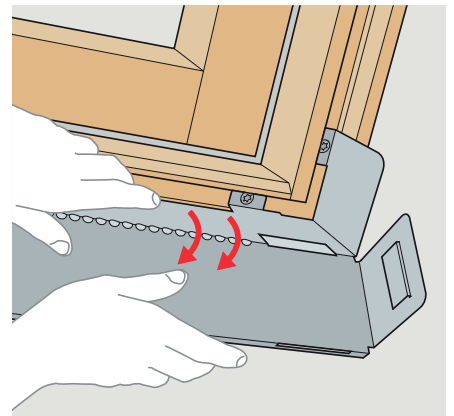
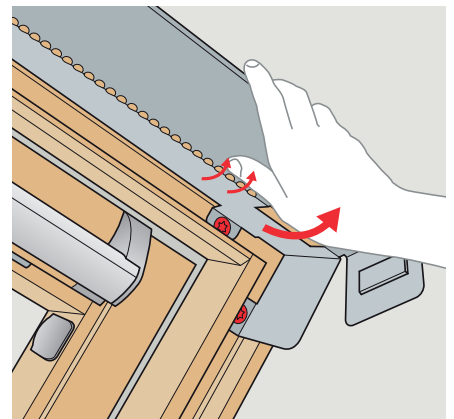
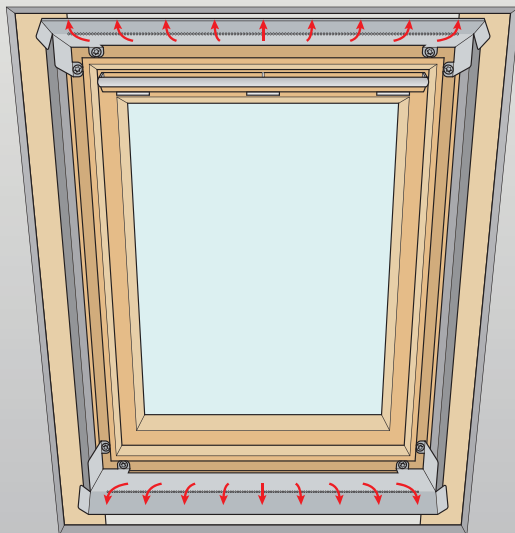
1



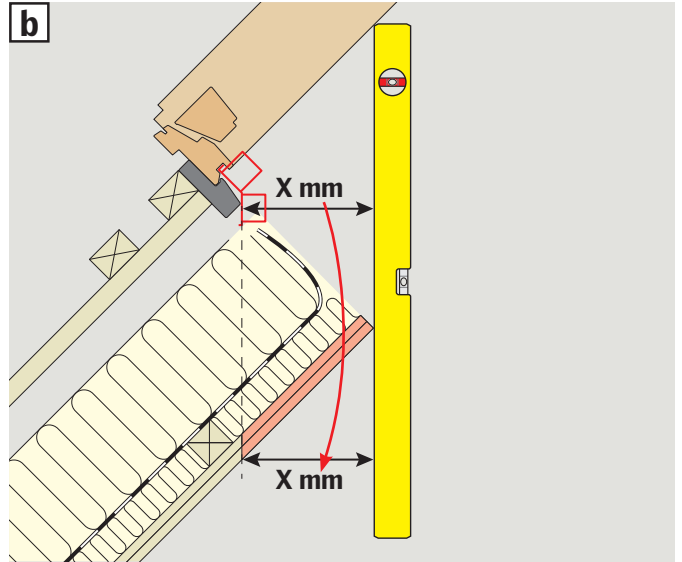
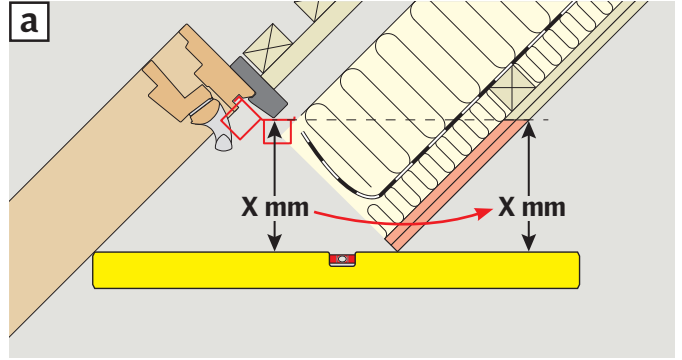
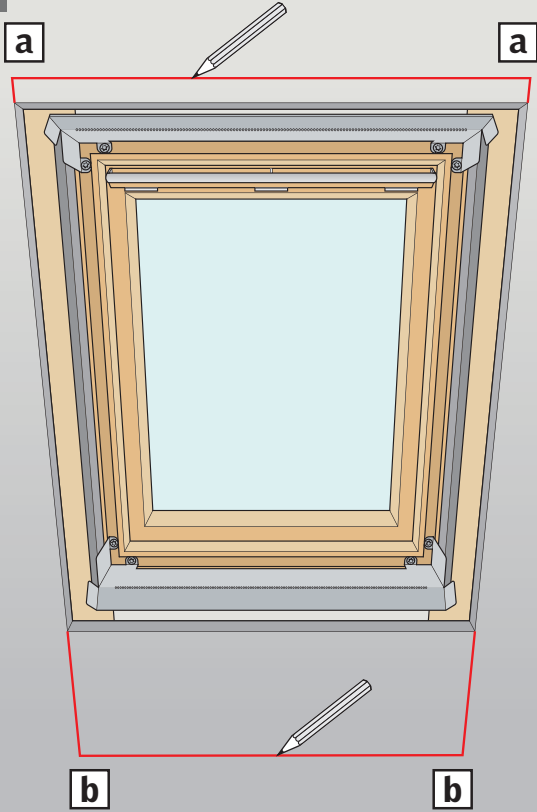
2



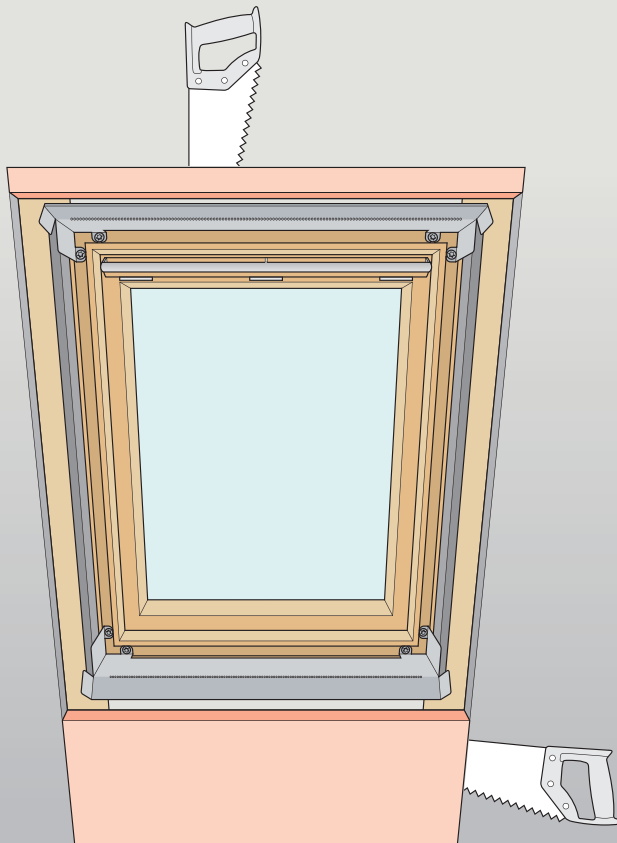
3

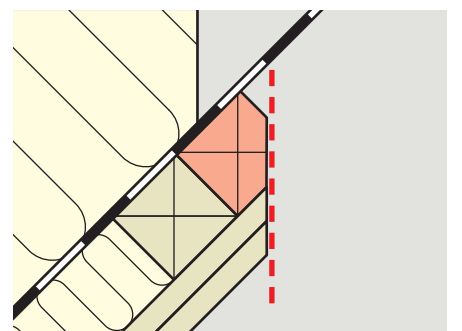
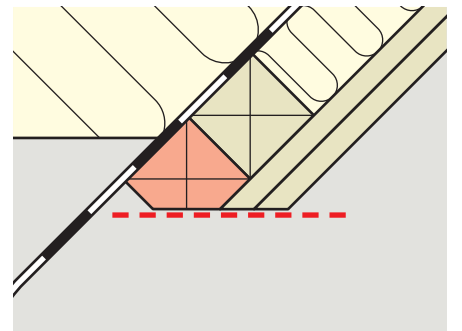
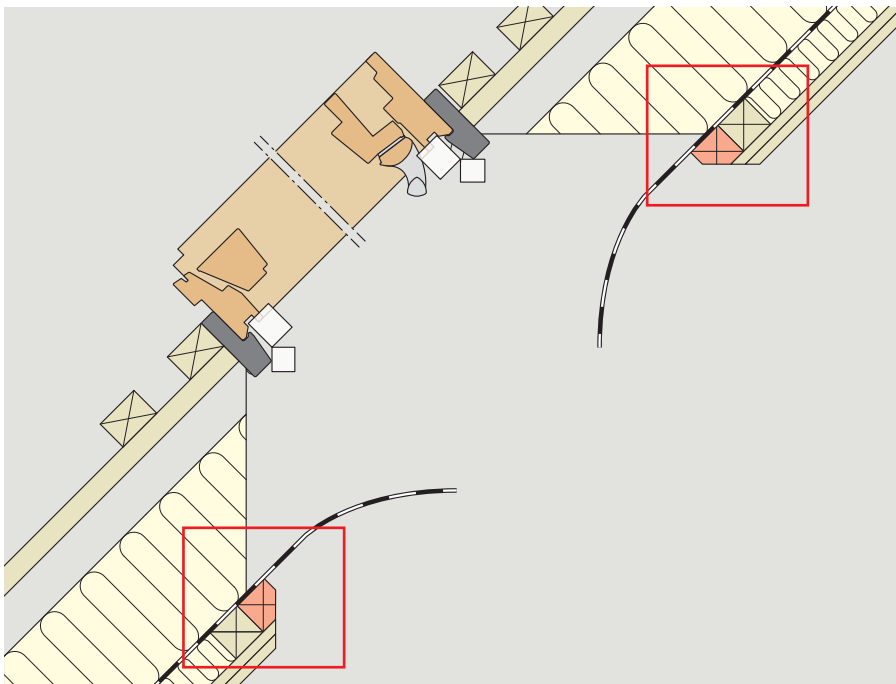
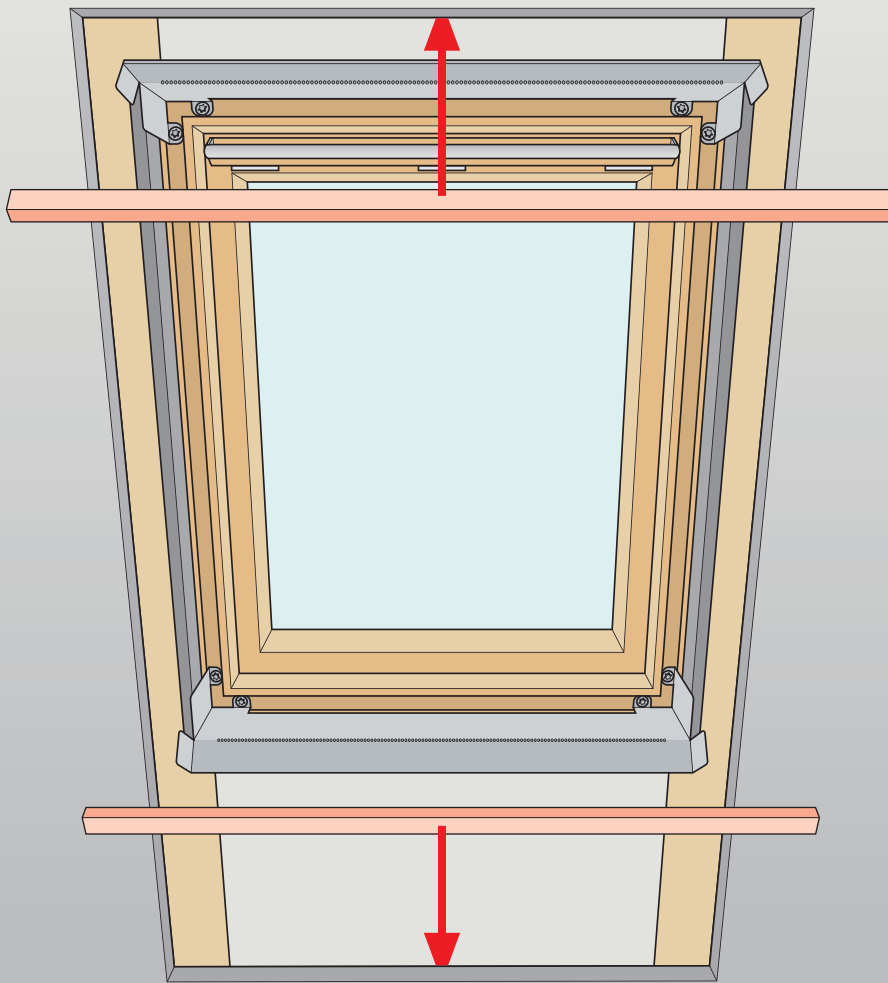


4



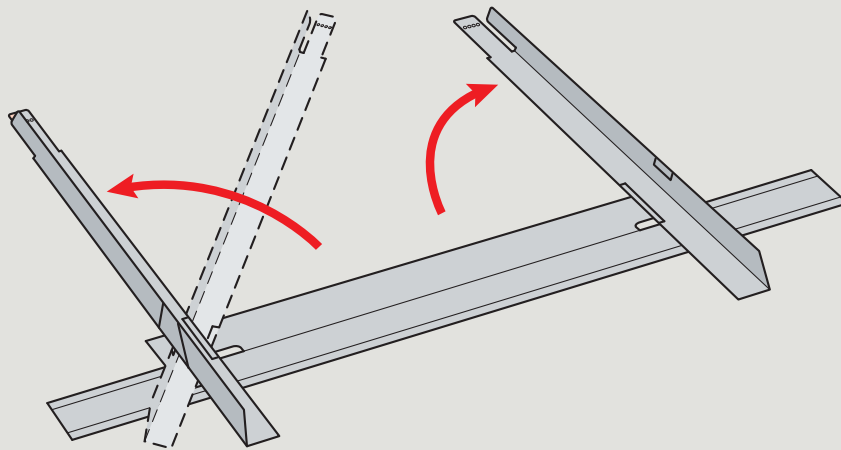
5





7

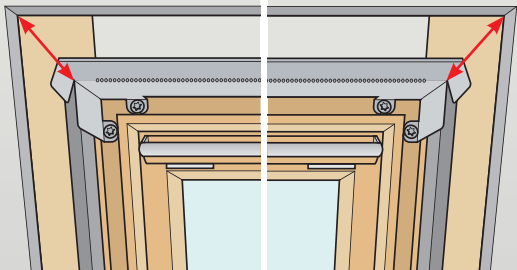
x2



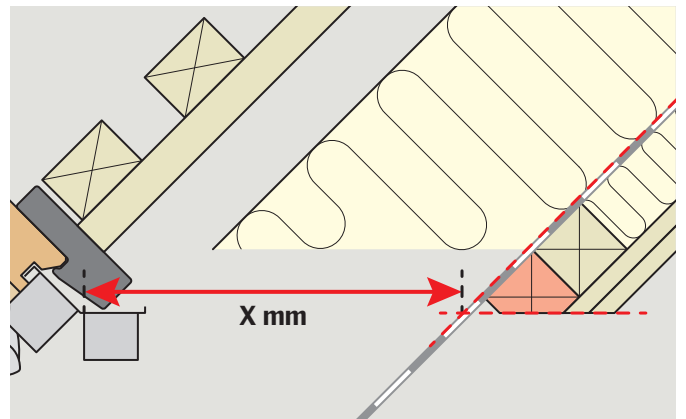
8

X<sup>1</sup> mm

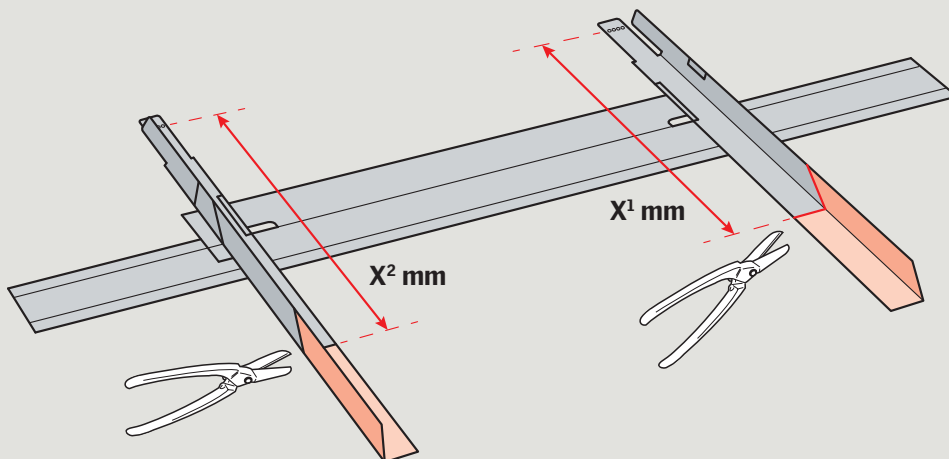
X<sup>2</sup> mm



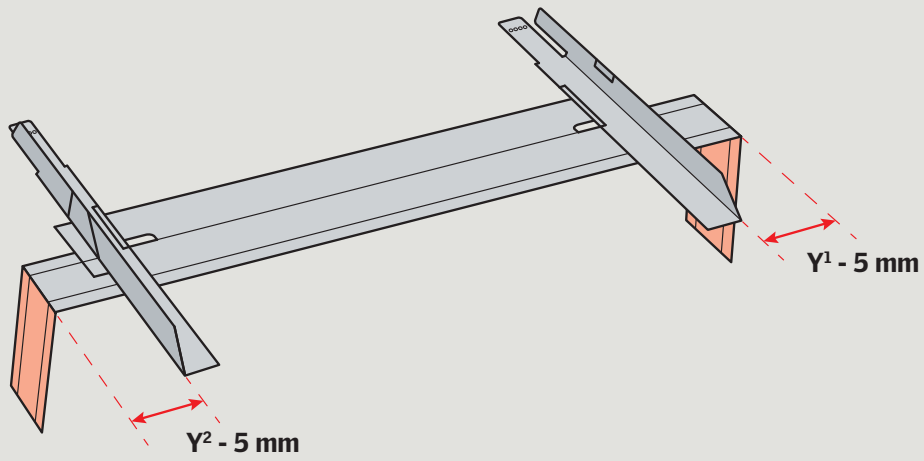
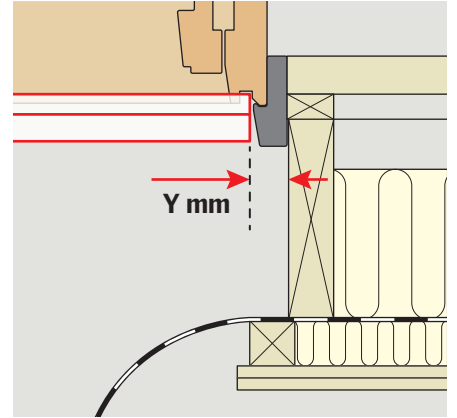
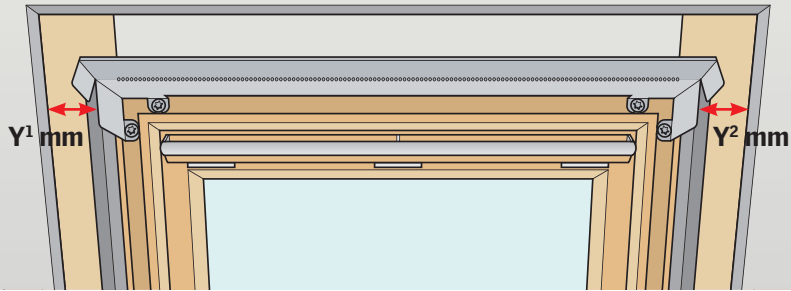
X mm



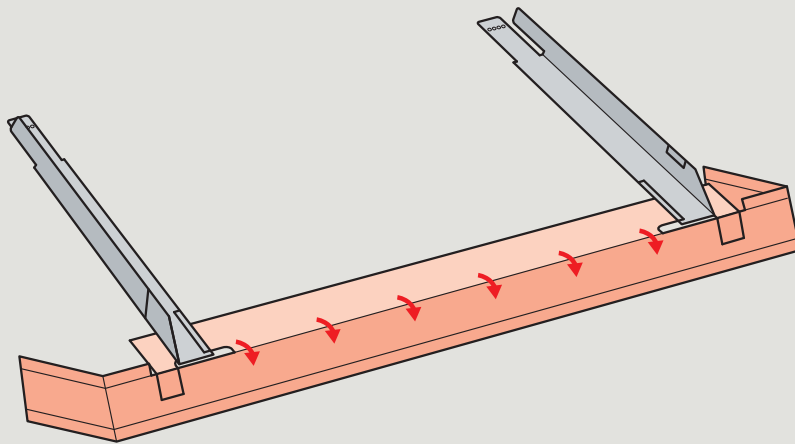
x1



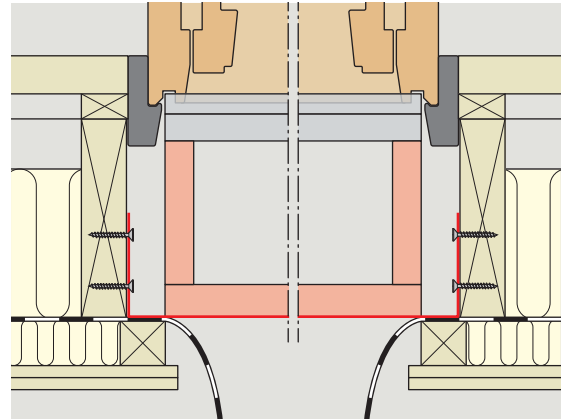
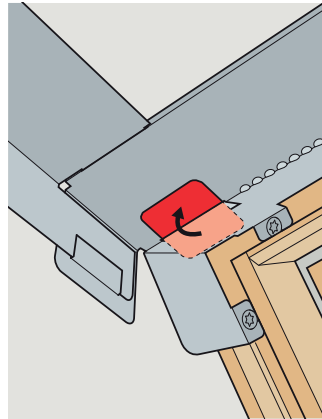
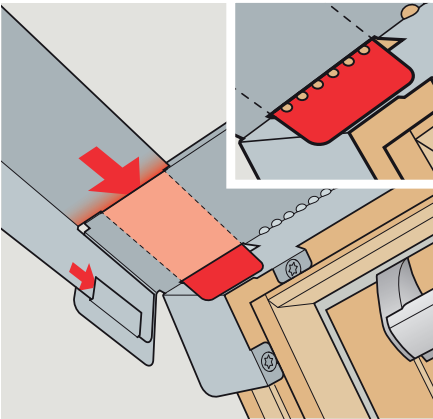
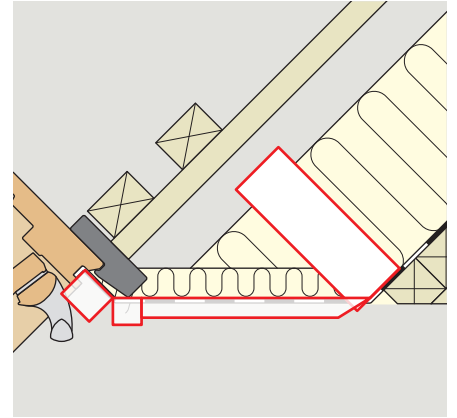
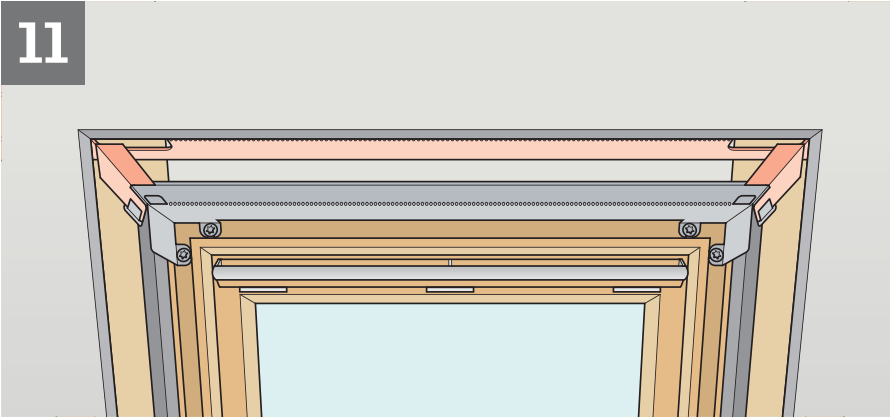
9



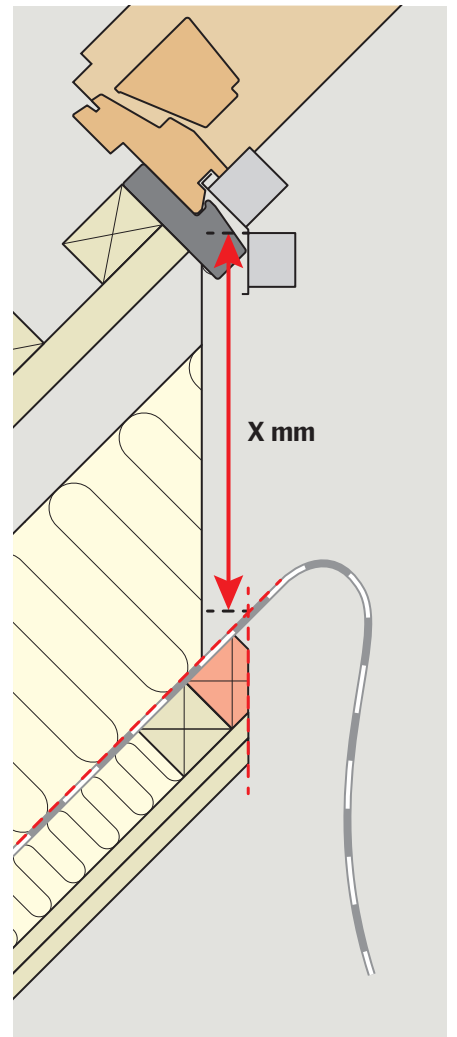
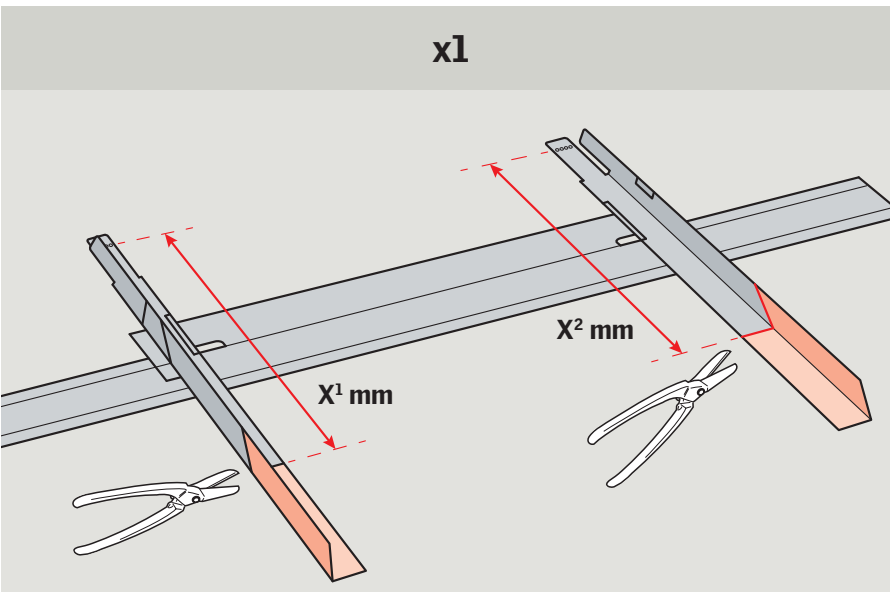
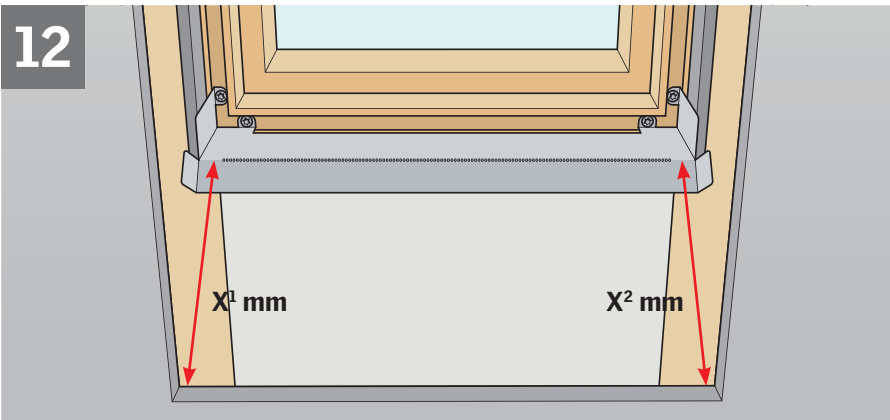
10



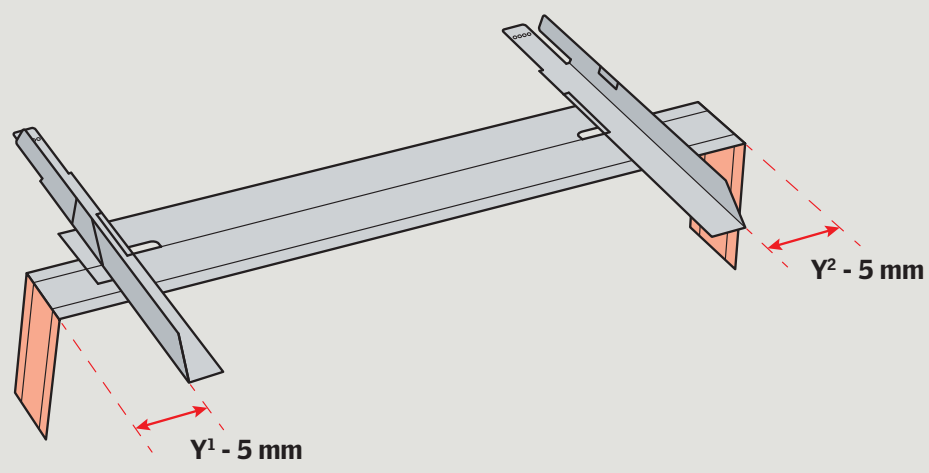
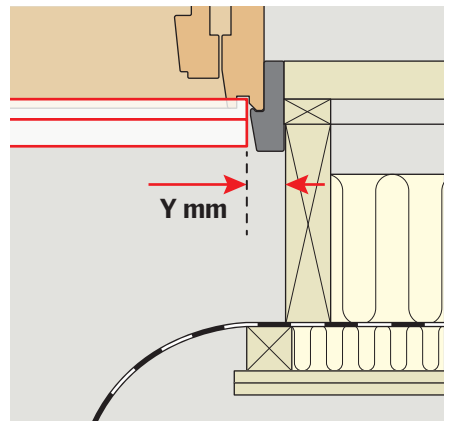
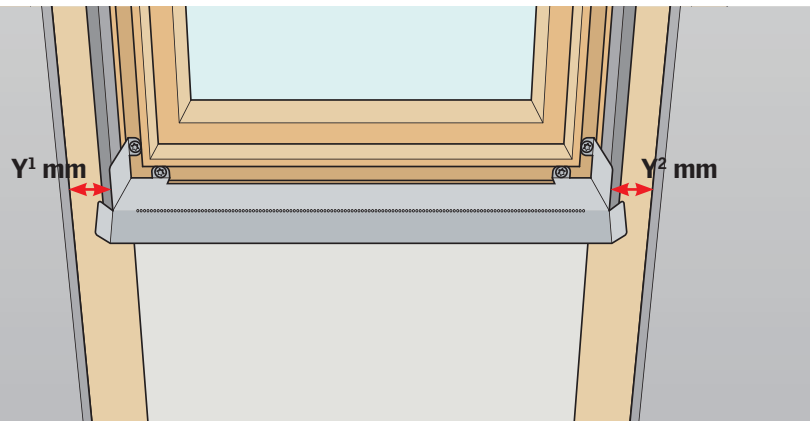
11



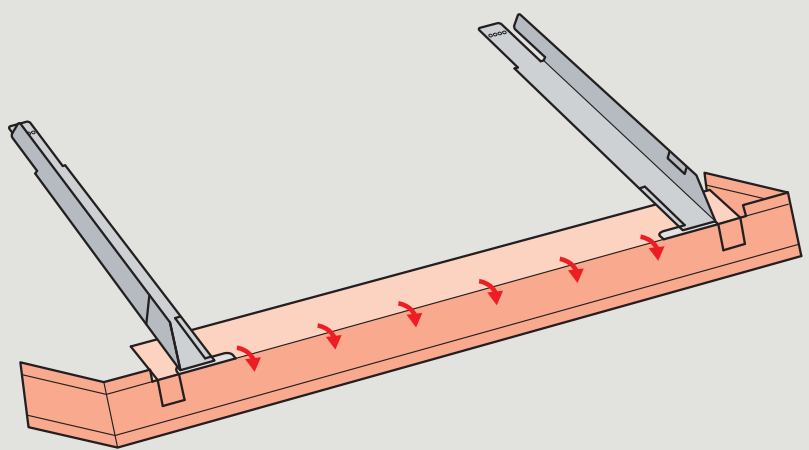
12



13

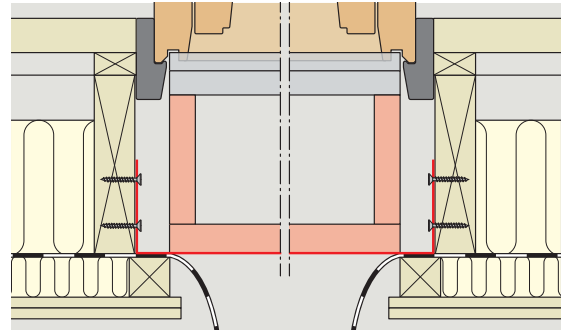
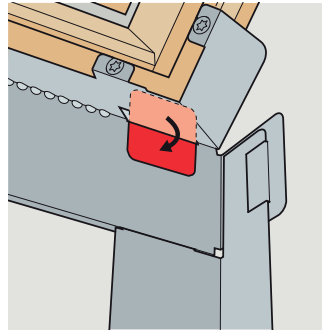
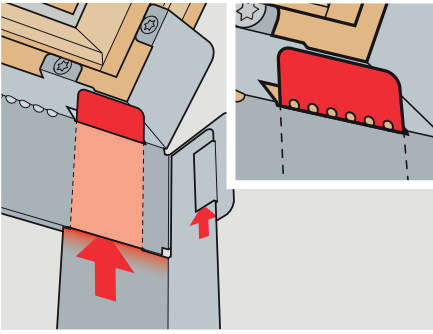
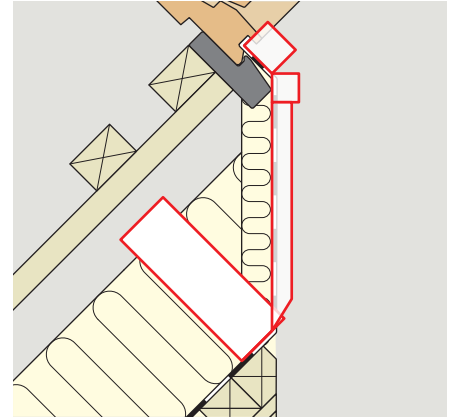
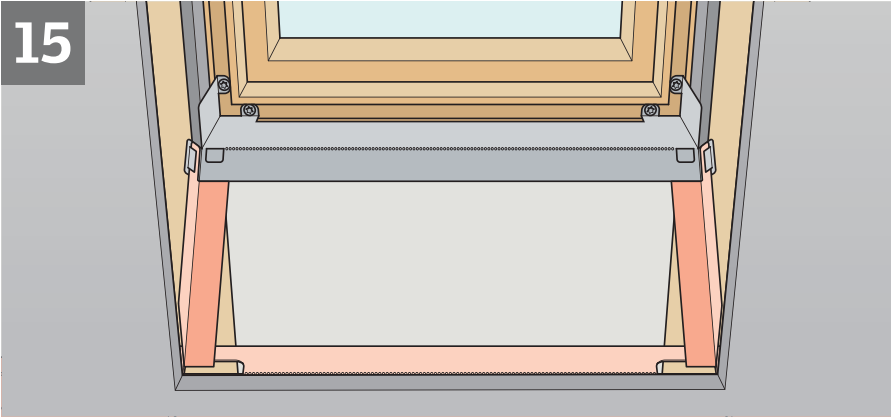


14

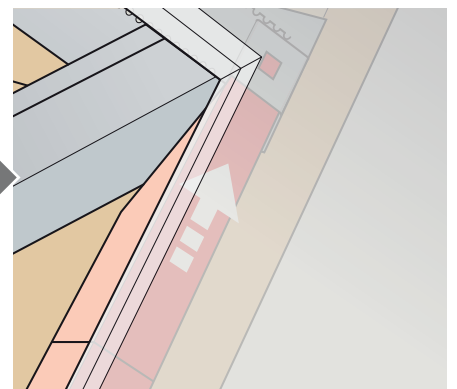
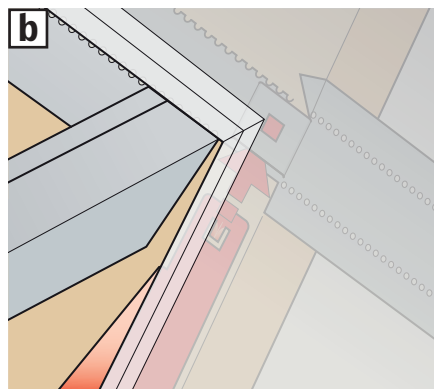
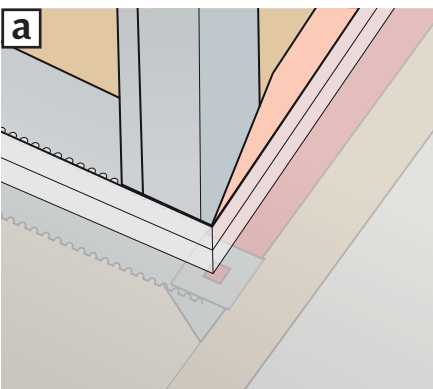
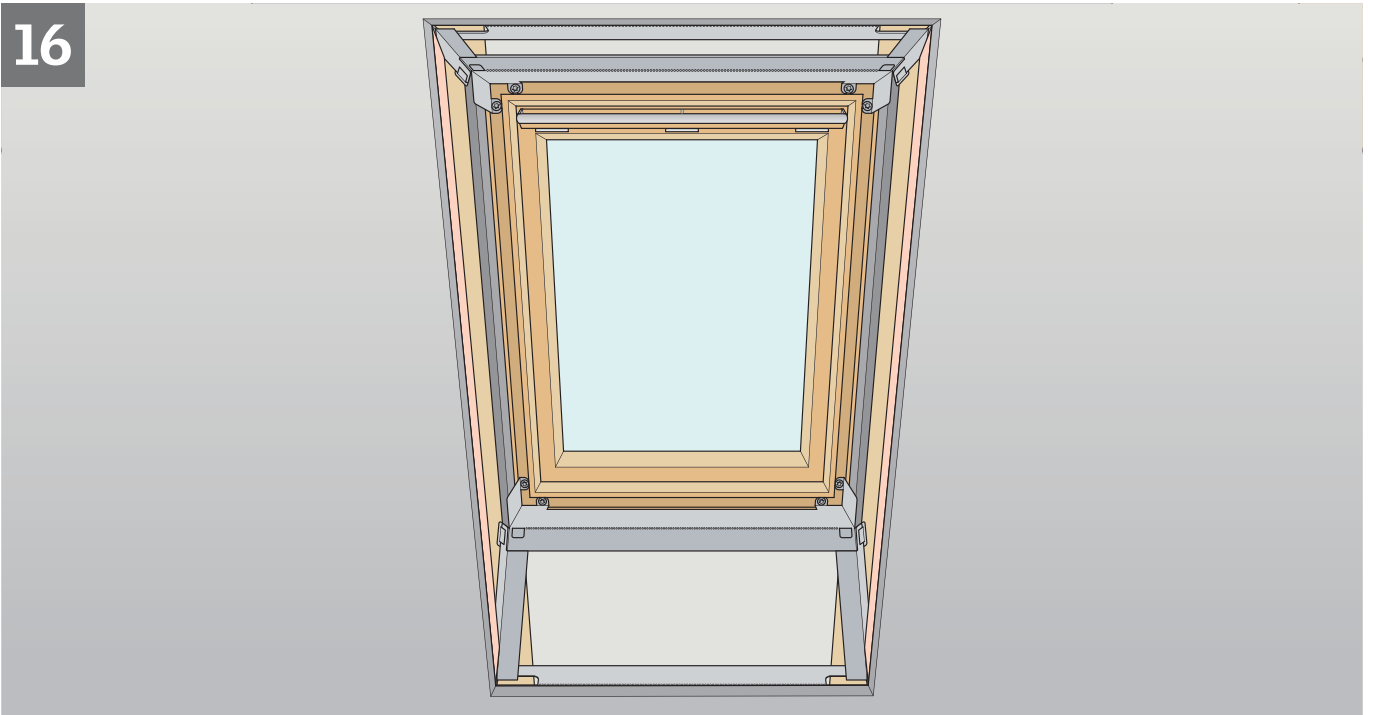




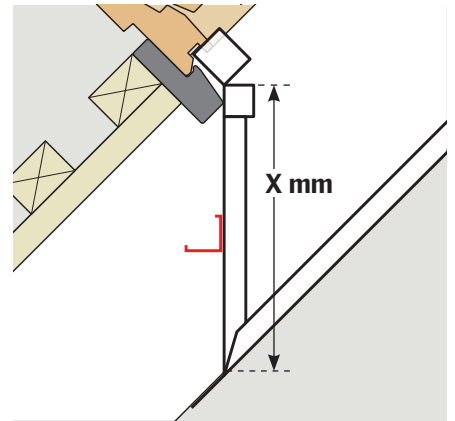
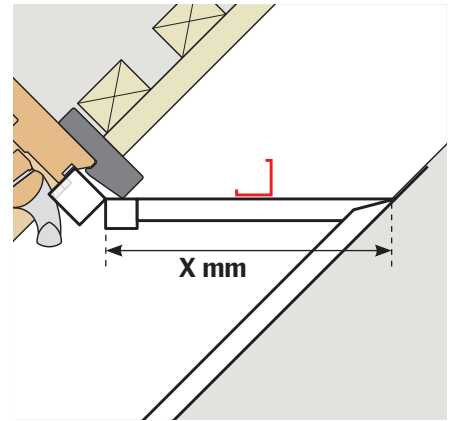
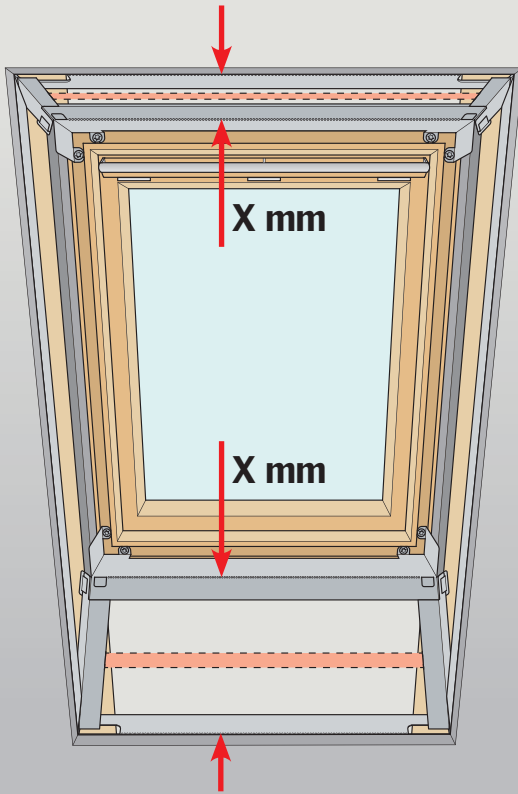
15



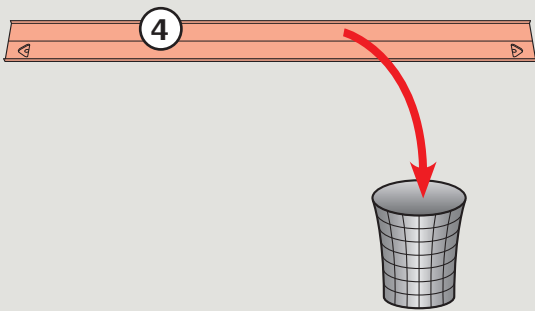
16



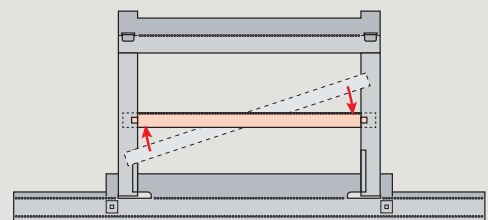
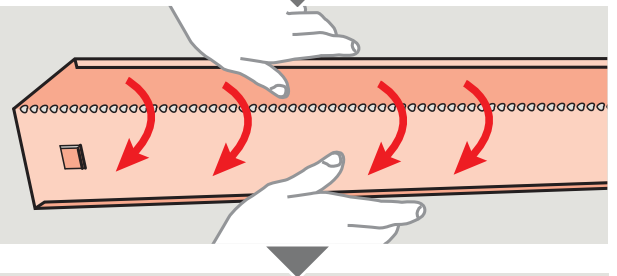
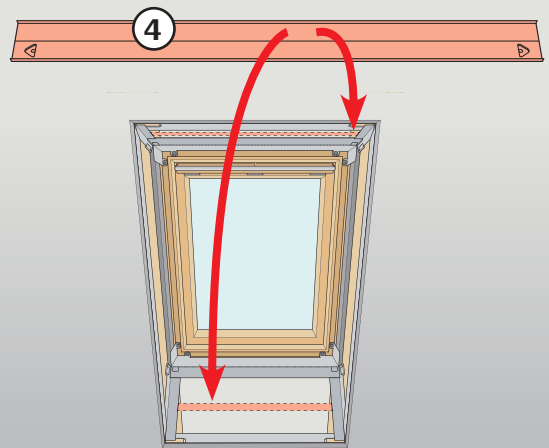
17

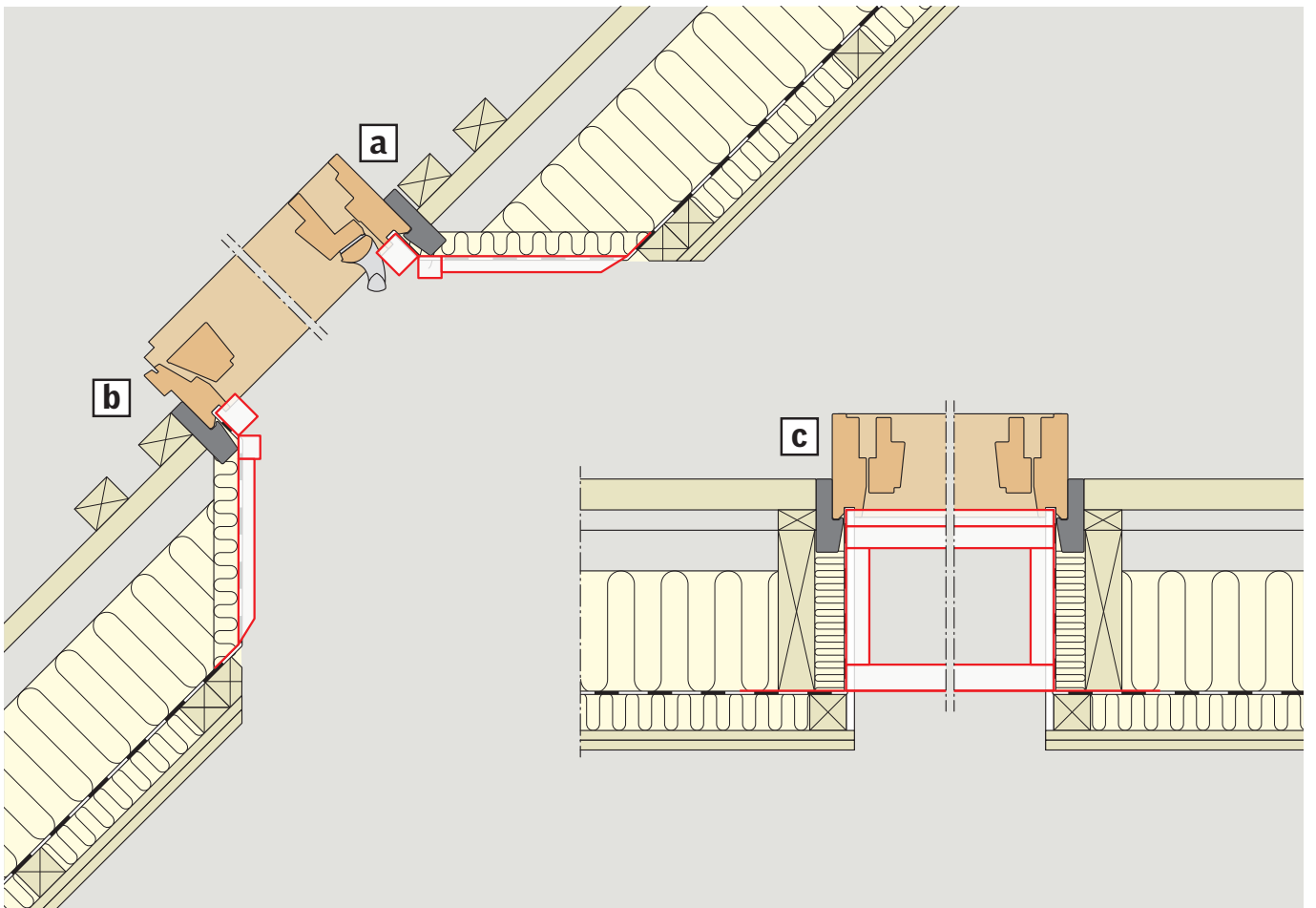
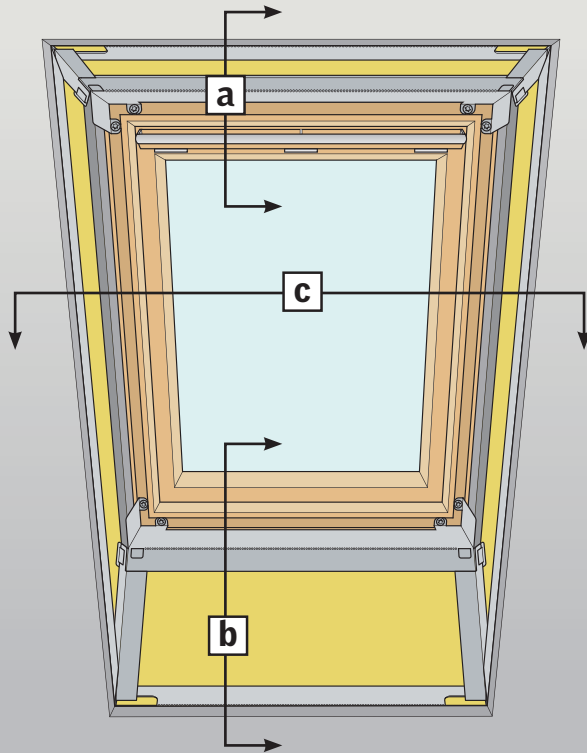


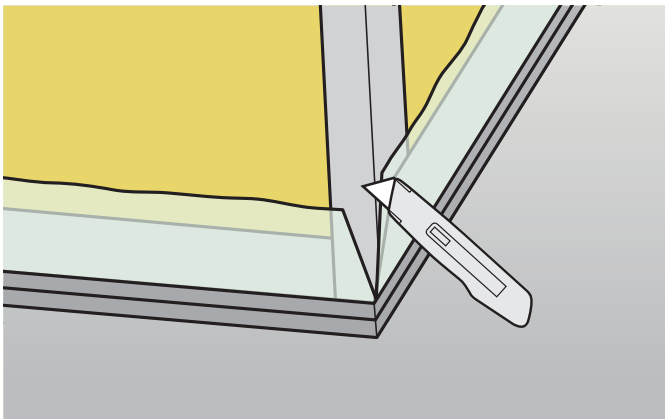
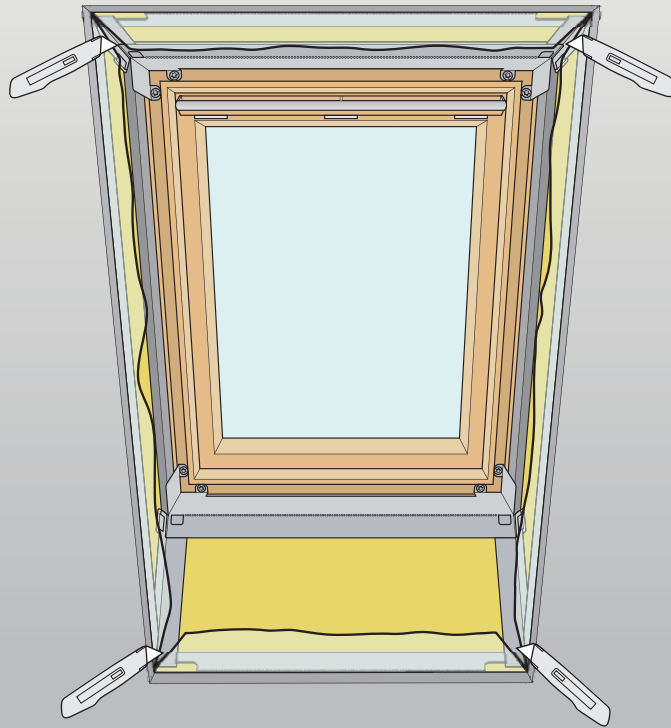
$X = 0-29$  cm

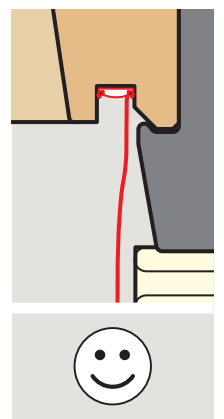
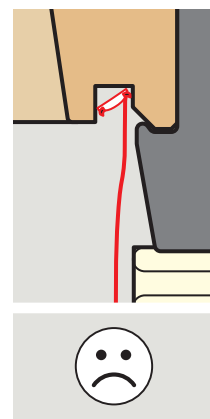
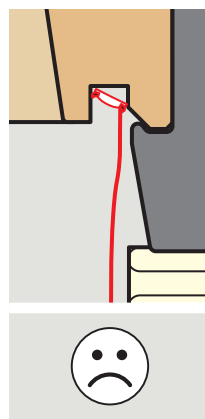
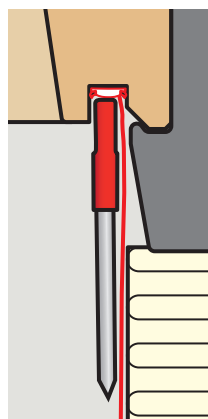
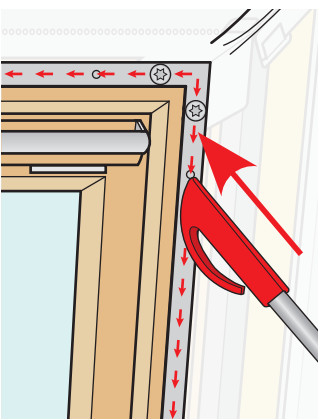
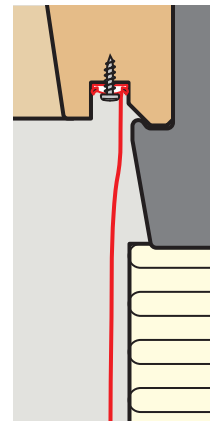
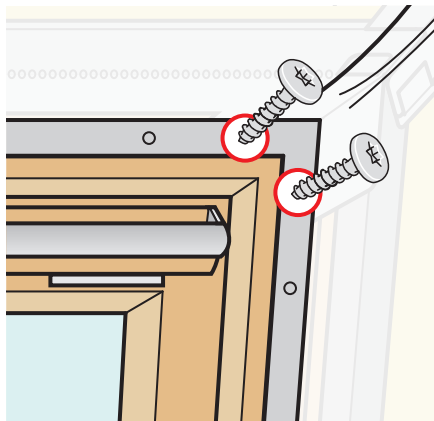
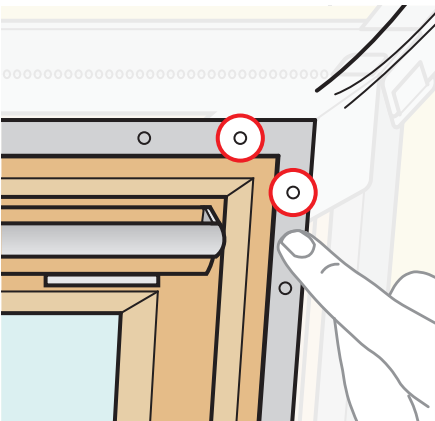
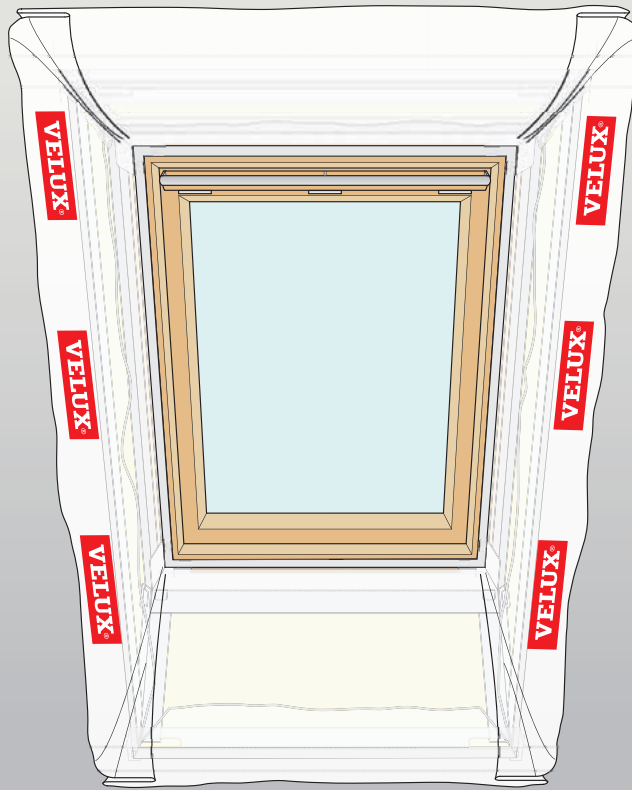
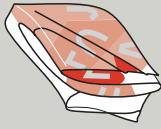


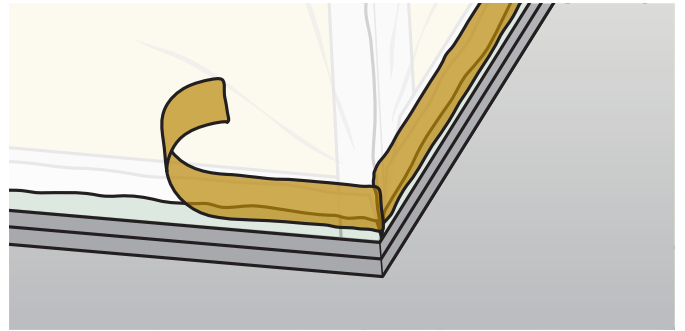
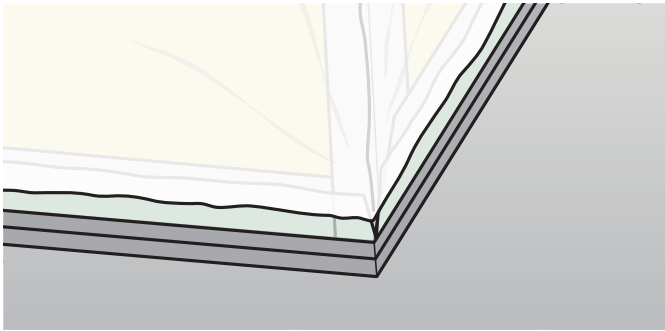
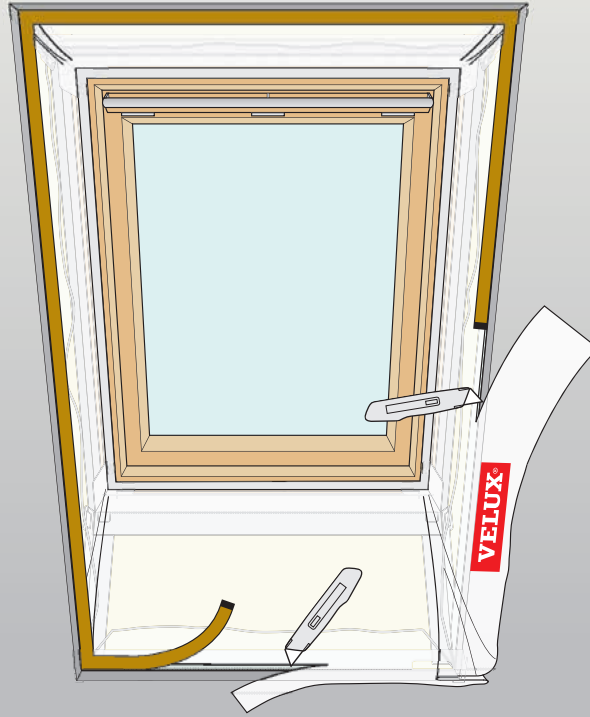
$X = 30-60$  cm

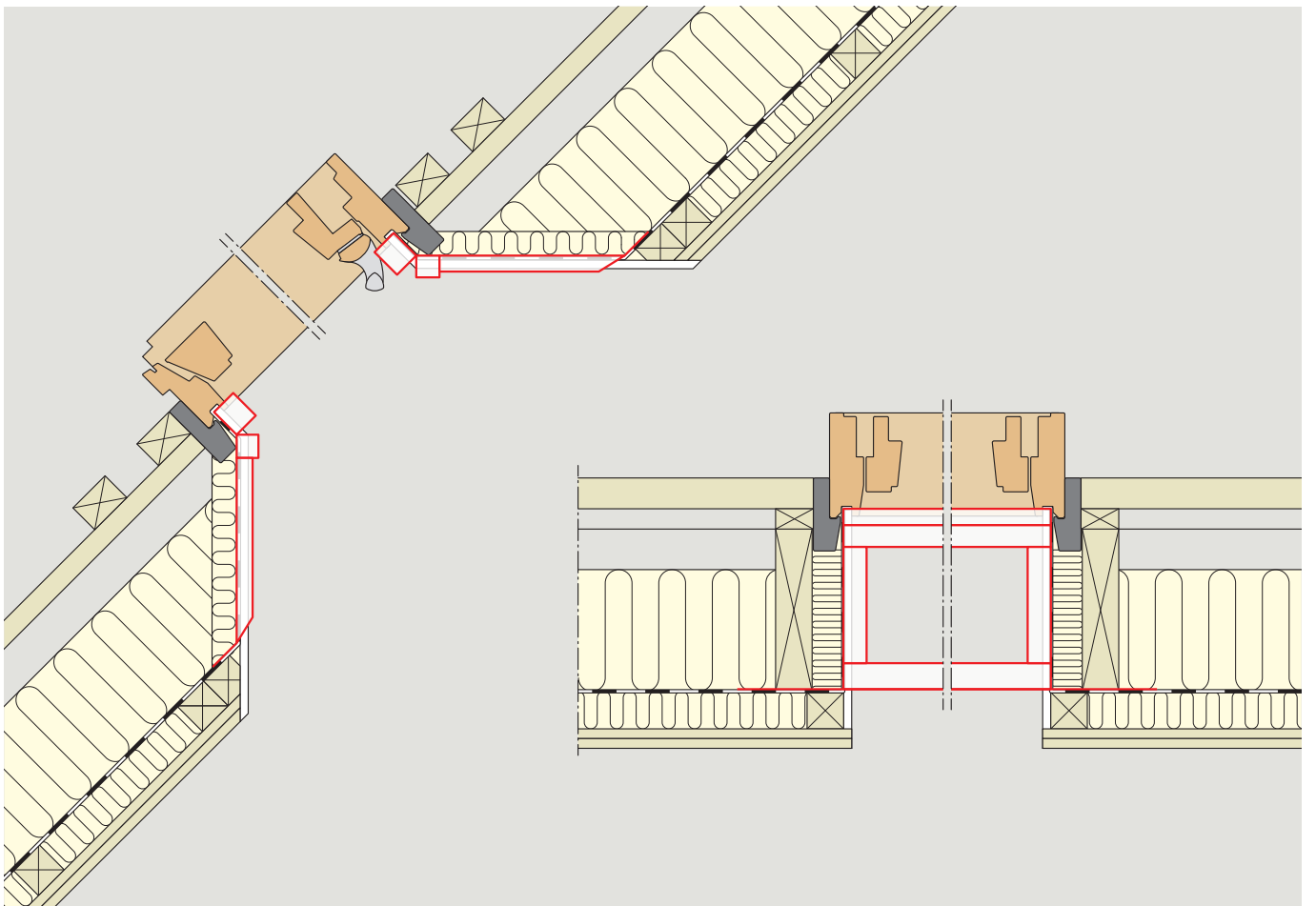
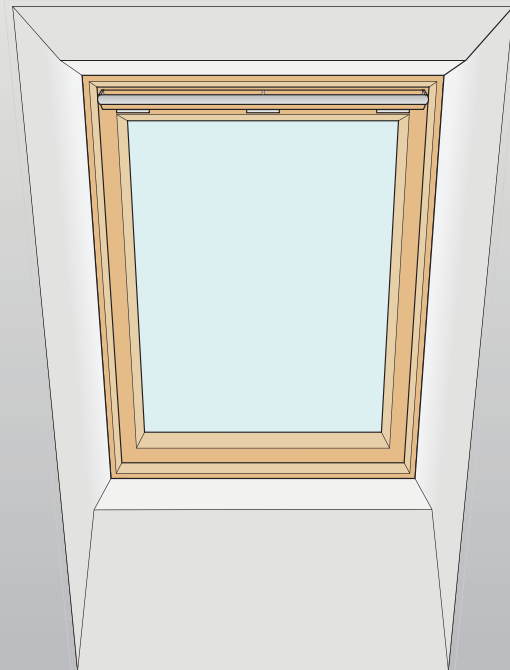
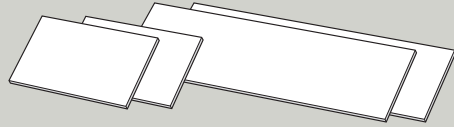








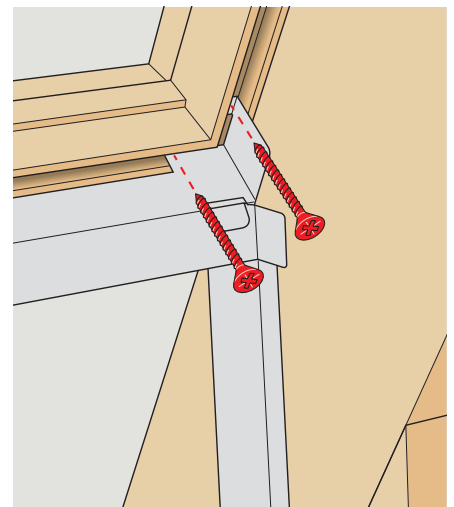
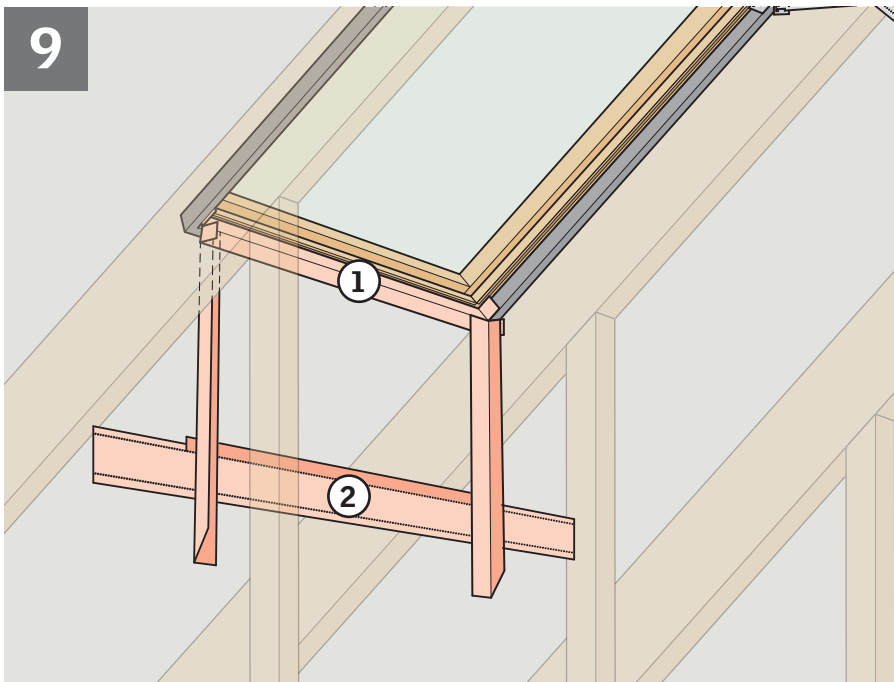
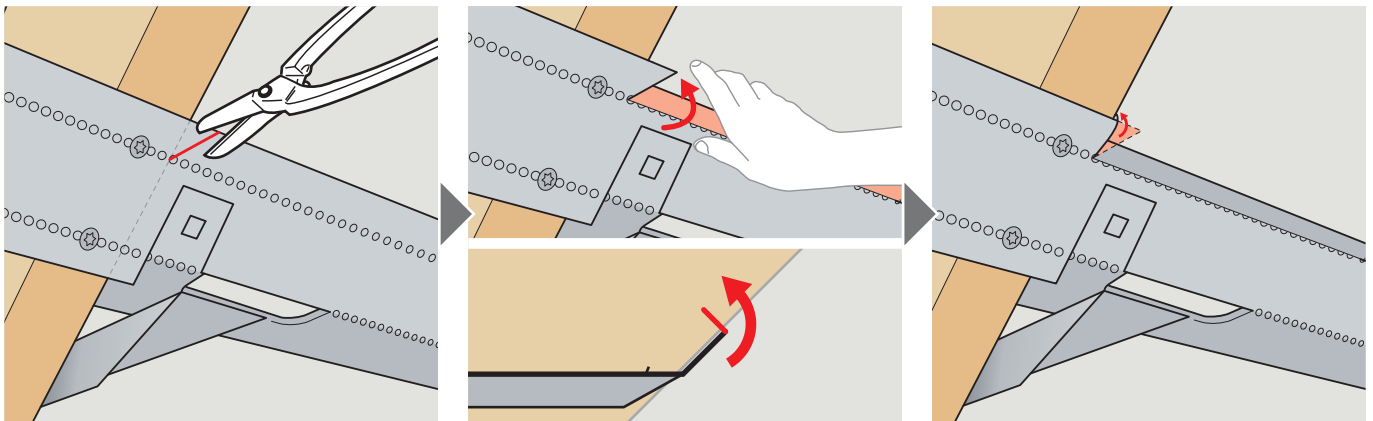
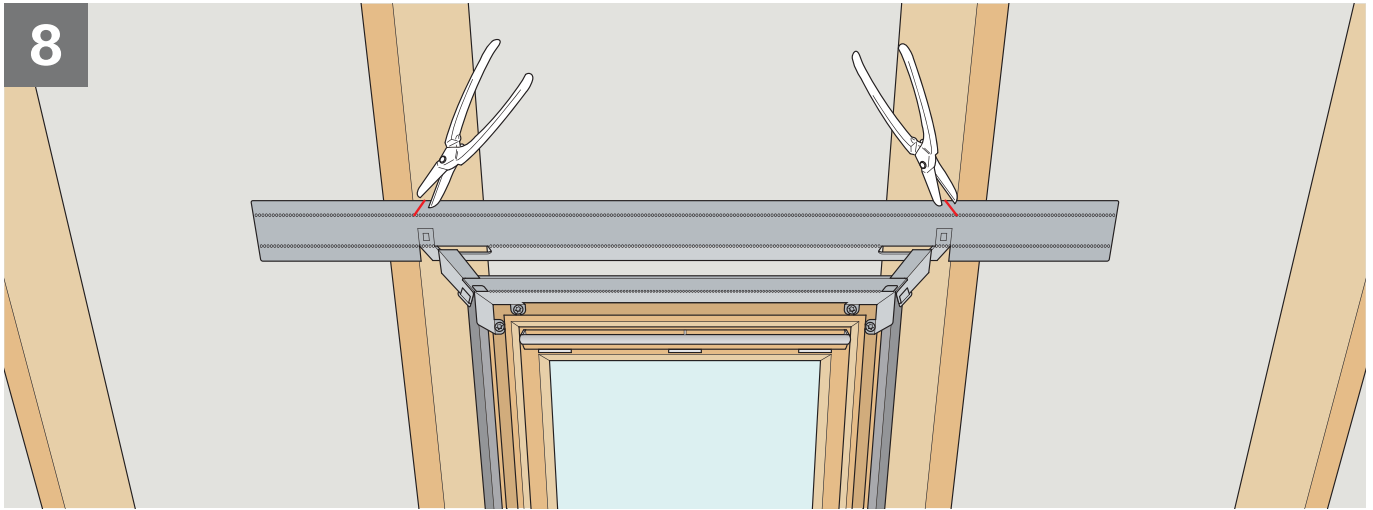






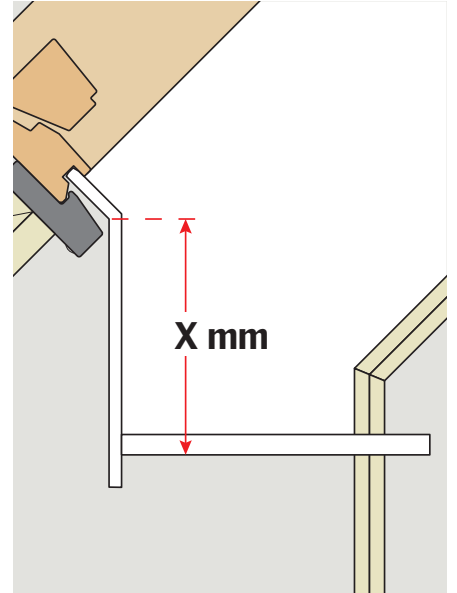
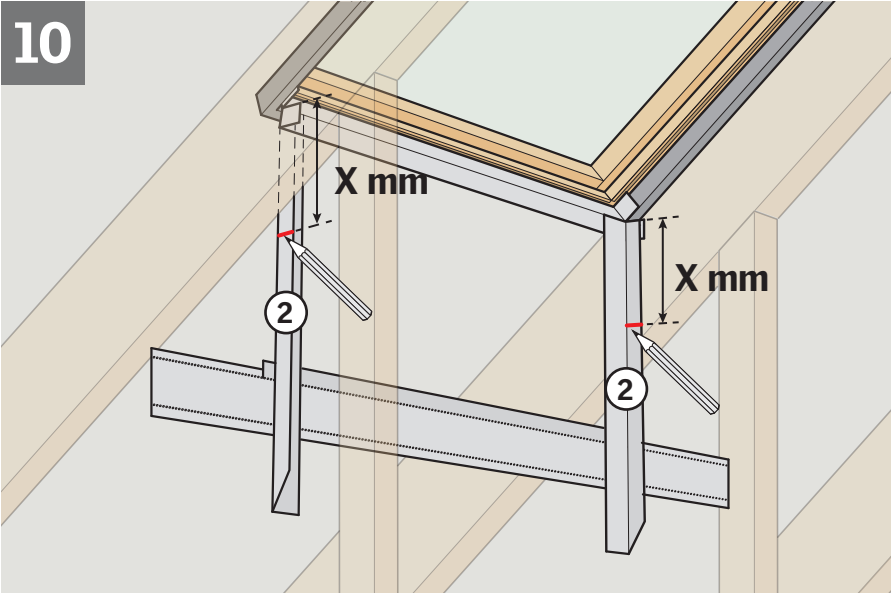
- 1
- 2
- 3
- 4
- 5
- 6
- 7

Pages 4-7

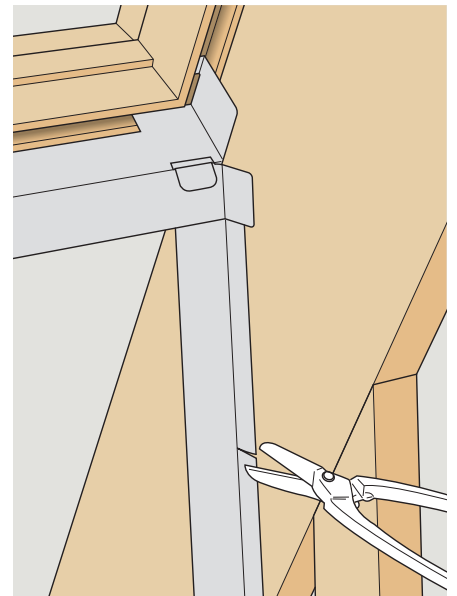
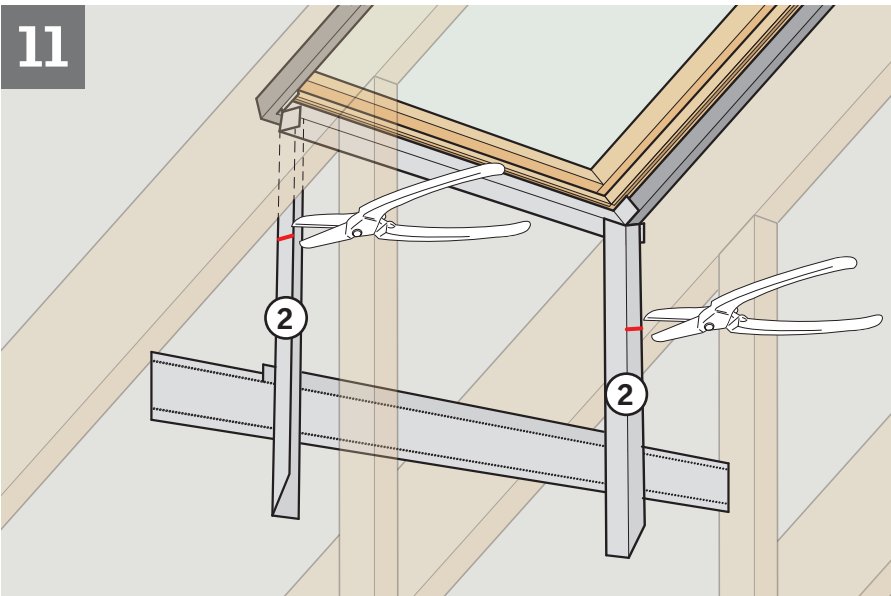




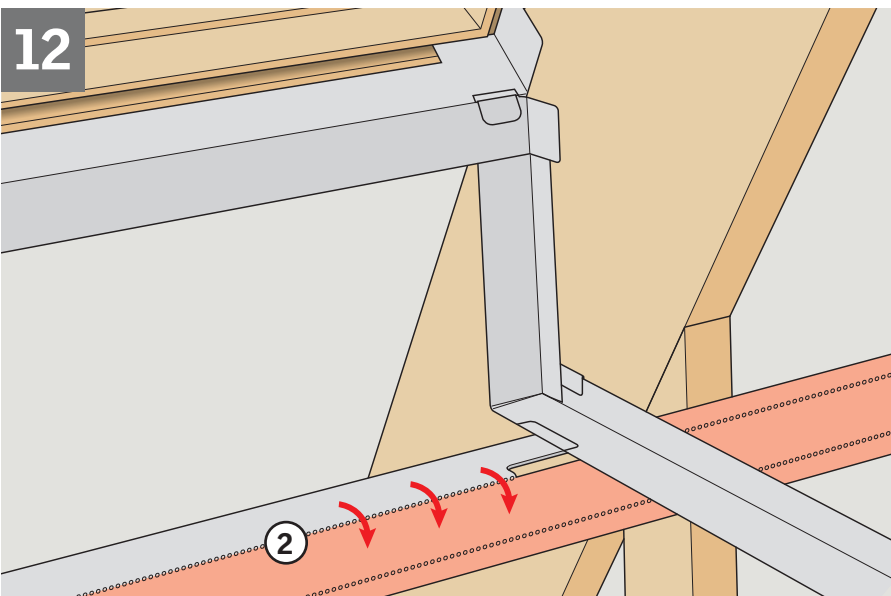
10



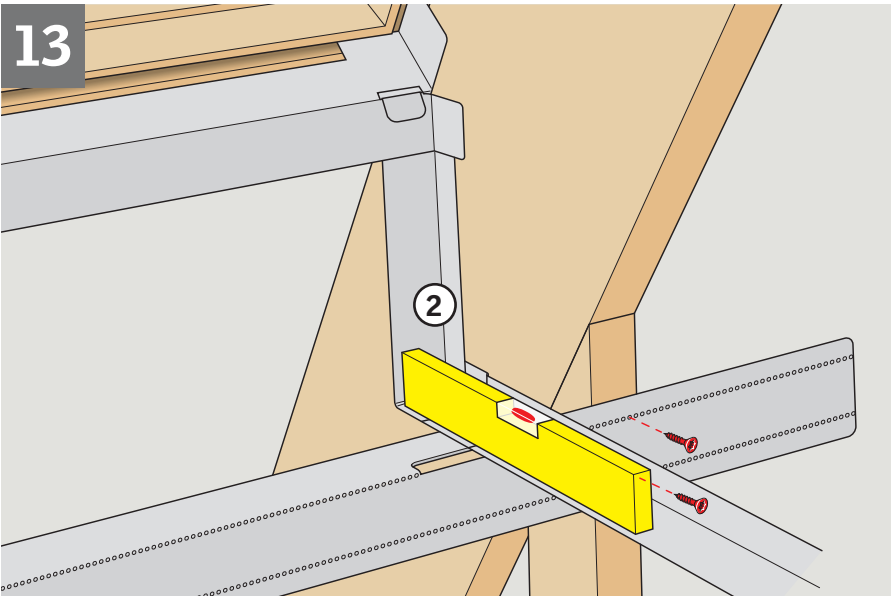
11



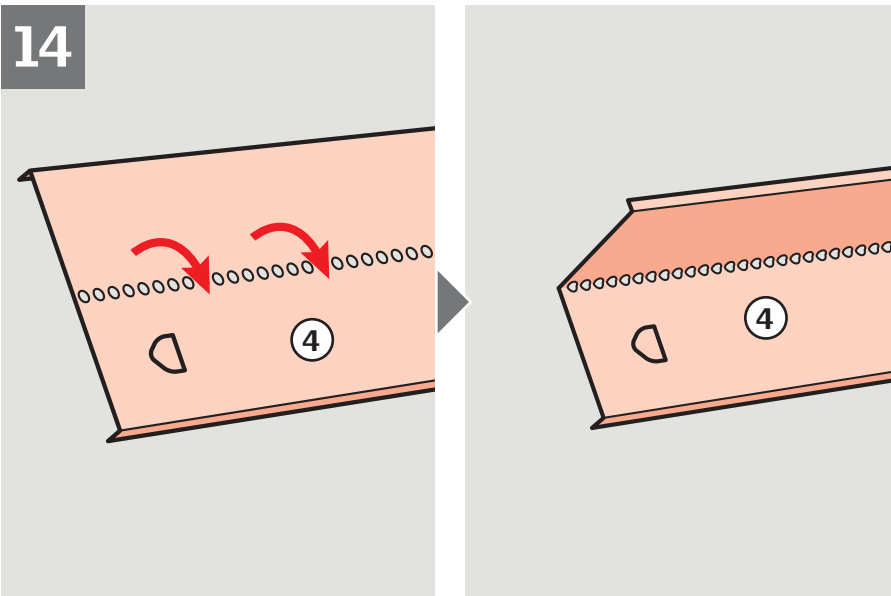
12



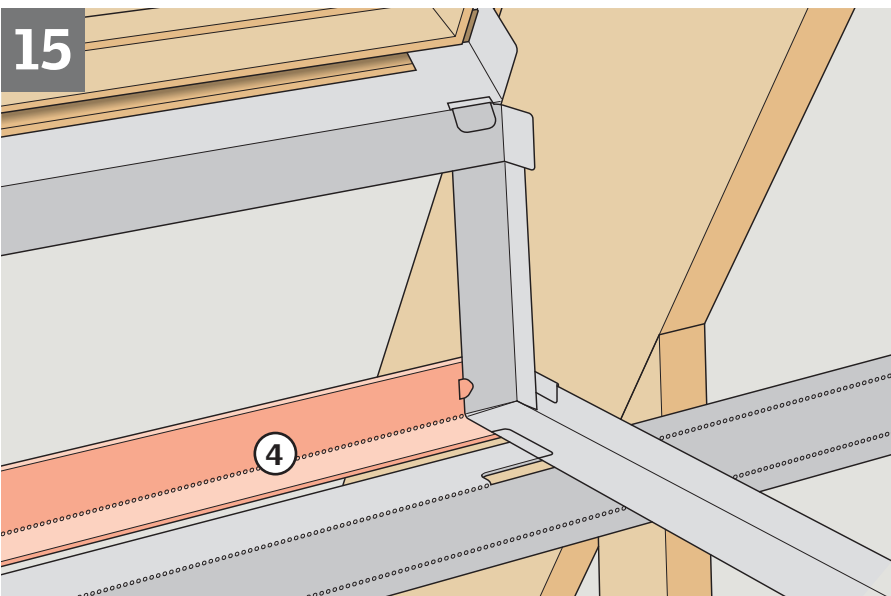
13



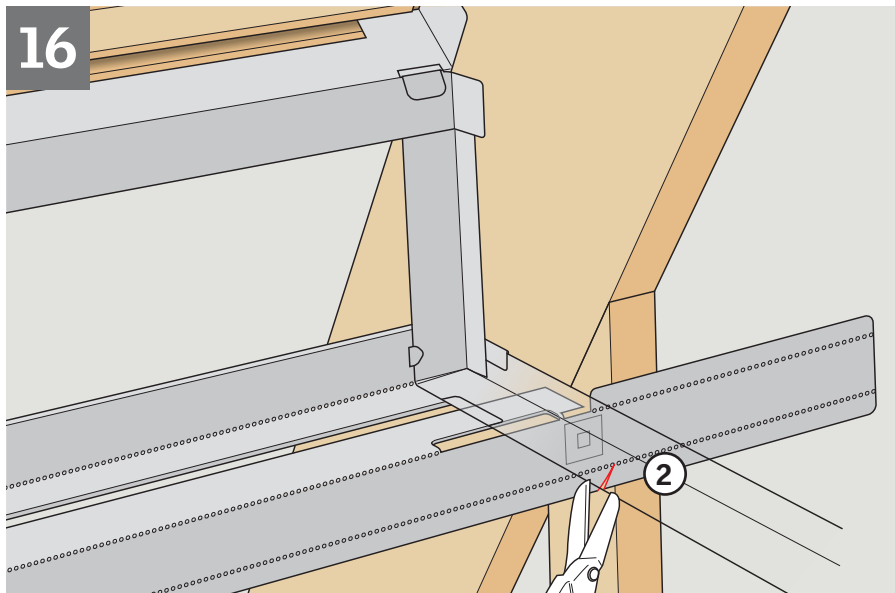
14



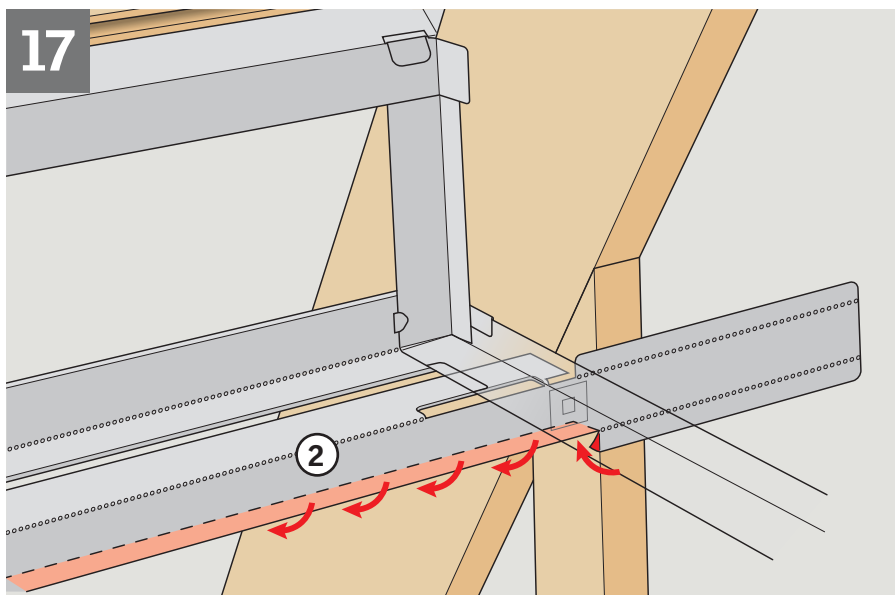
15



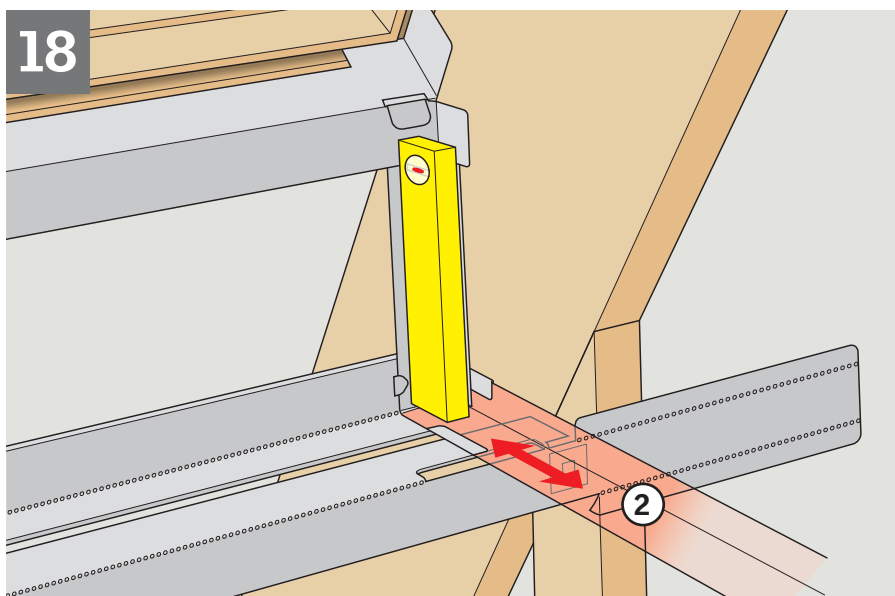
16



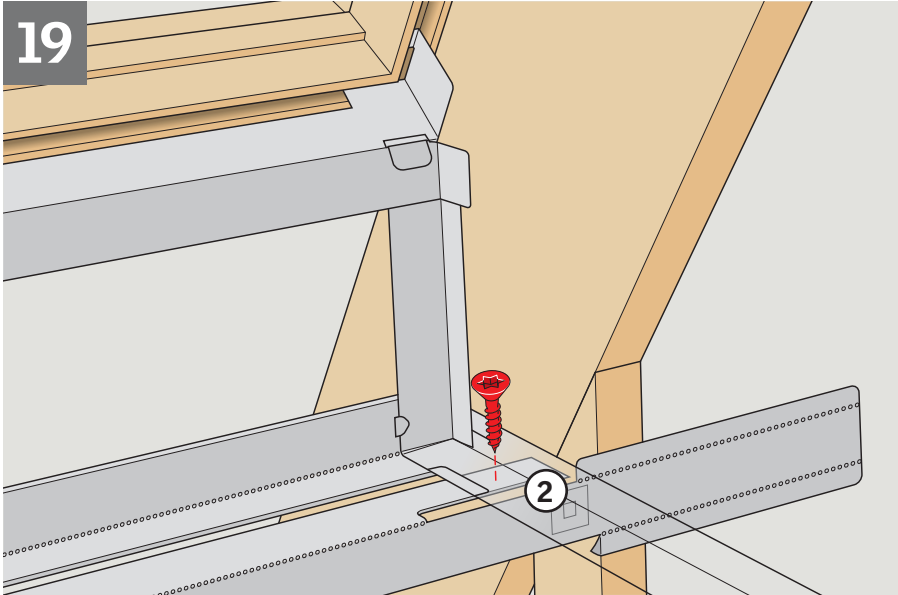
17



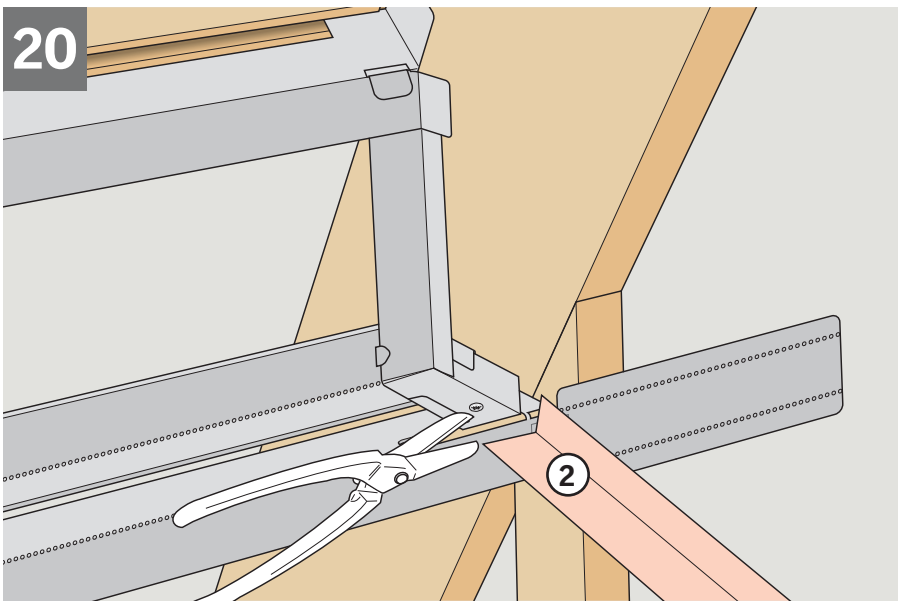
18



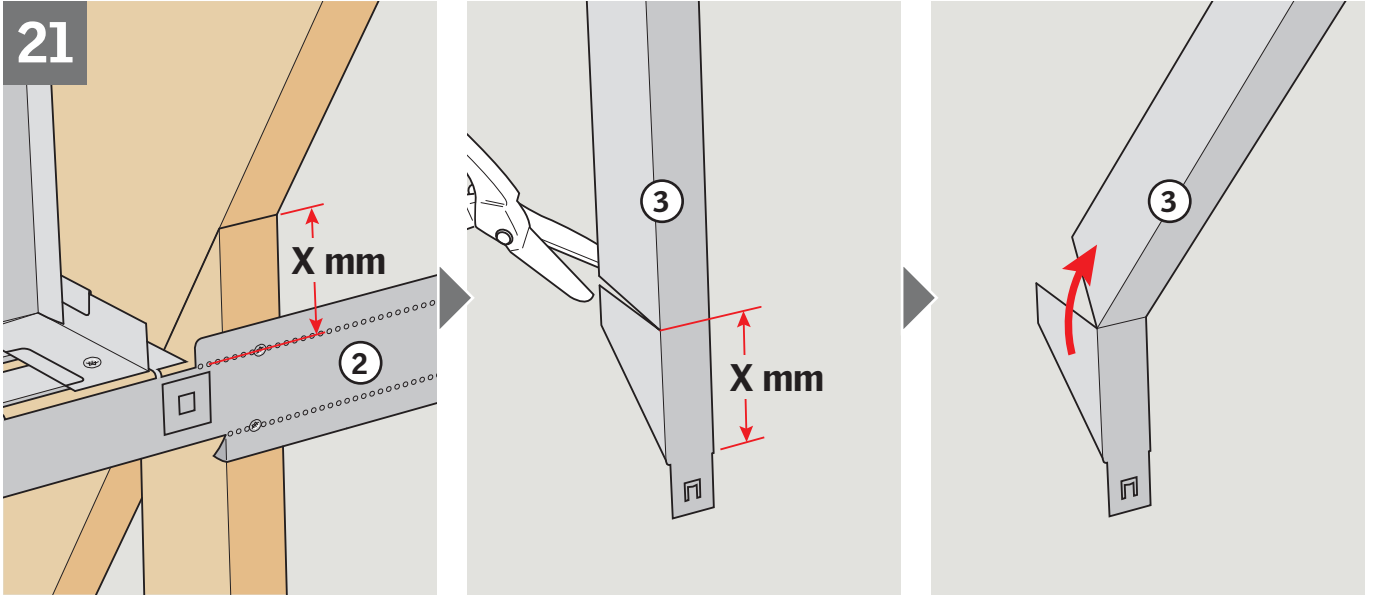
19

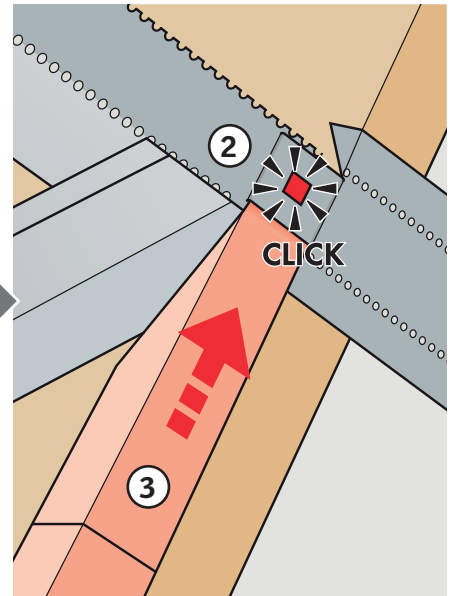
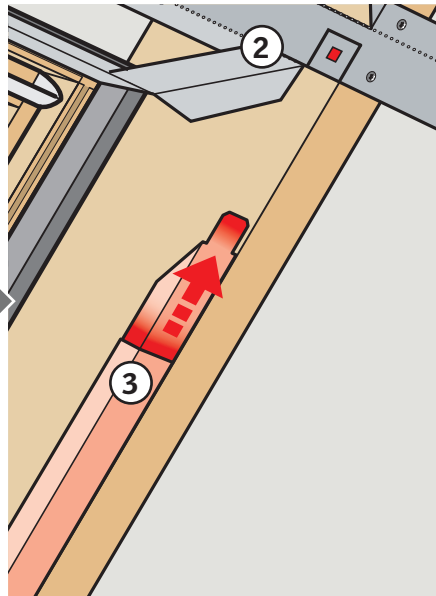
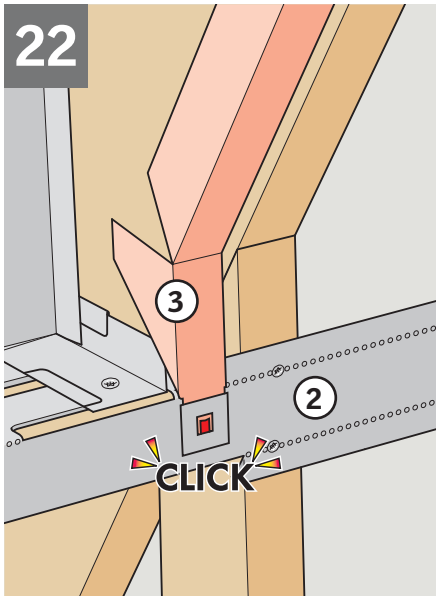


20



21





12

13

14

15

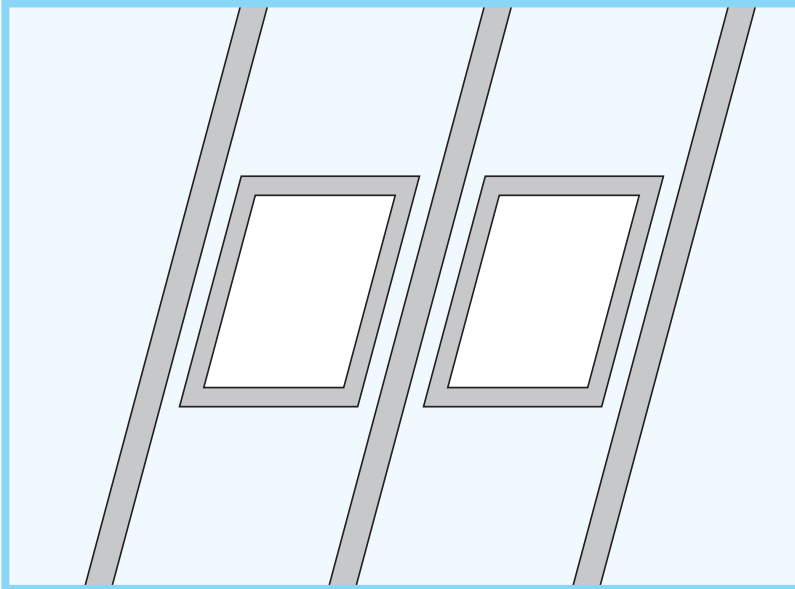
16

17

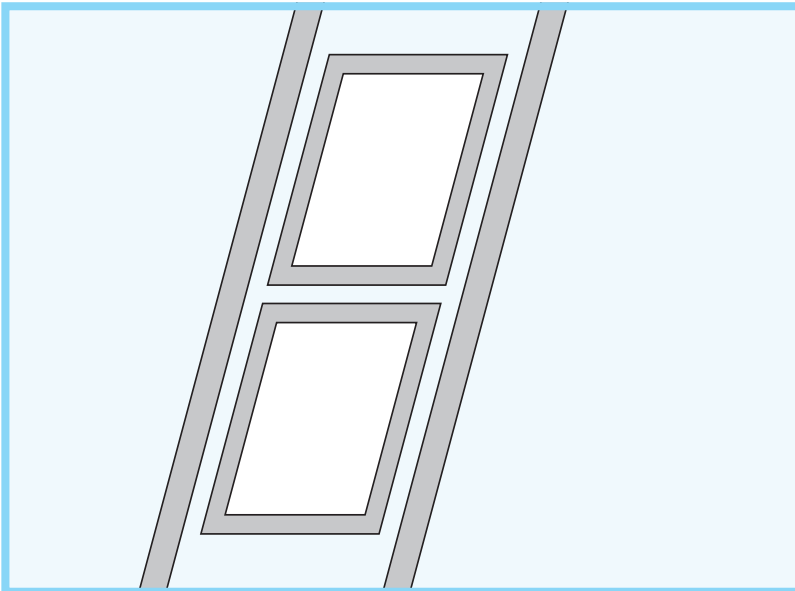
18

19

Pages 11-16



**2 x LSG**



**1 x LSG**

**2 x 0040-600740K08**

**2 x 0050-600741K08**



<b>AR:</b> VELUX Argentina S.A. 348 4 639944	<b>EE:</b> VELUX Eesti OÜ 621 7790	<b>NZ:</b> VELUX New Zealand Ltd. 0800 650 445
<b>AT:</b> VELUX Österreich GmbH 02245/32 3 50	<b>ES:</b> VELUX Spain, S.A. 91 509 71 00	<b>PL:</b> VELUX Polska Sp. z o.o. (022) 33 77 000 / 33 77 070
<b>AU:</b> VELUX Australia Pty. Ltd. 1300 859 856	<b>FI:</b> VELUX Suomi Oy 0207 290 800	<b>PT:</b> VELUX Portugal, Lda 21 880 00 60
<b>BA:</b> VELUX Bosna i Hercegovina d.o.o. 033/626 493, 626 494	<b>FR:</b> VELUX France 0821 02 15 15 0,119€ TTC/min	<b>RO:</b> VELUX România S.R.L. 0-8008-83589
<b>BE:</b> VELUX Belgium (010) 42.09.09	<b>GB:</b> VELUX Company Ltd. 01592 778 225	<b>RS:</b> VELUX Srbija d.o.o. 011 20 57 500
<b>BG:</b> VELUX Bulgaria EOOD 02/955 99 30	<b>HR:</b> VELUX Hrvatska d.o.o. 01/5555 444	<b>RU:</b> ZAO VELUX (495) 737 75 20
<b>BY:</b> FE VELUX Roof Windows (017) 217 7385	<b>HU:</b> VELUX Magyarország Kft. (06/1) 436-0601	<b>SE:</b> VELUX Svenska AB 042/20 83 80
<b>CA:</b> VELUX Canada Inc. 1 800 88-VELUX (888-3589)	<b>IE:</b> VELUX Company Ltd. 01 848 8775	<b>SI:</b> VELUX Slovenija d.o.o. 01 724 68 68
<b>CH:</b> VELUX Schweiz AG 0848 945 549	<b>IT:</b> VELUX Italia s.p.a. 045/6173666	<b>SK:</b> VELUX Slovensko, s.r.o. (02) 33 000 555
<b>CL:</b> VELUX Chile Limitada 2 953 6789	<b>JP:</b> VELUX-Japan Ltd. 0570-00-8145	<b>TR:</b> VELUX Çatı Pencereleri Ticaret Limited Şirketi 0 216 302 54 10
<b>CN:</b> VELUX (CHINA) CO. LTD. 0316-607 27 27	<b>LT:</b> VELUX Lietuva, UAB (85) 270 91 01	<b>UA:</b> VELUX Ukraina TOV (044) 2916070
<b>CZ:</b> VELUX Česká republika, s.r.o. 531 015 511	<b>LV:</b> VELUX Latvia SIA 67 27 77 33	<b>US:</b> VELUX America Inc. 1-800-88-VELUX
<b>DE:</b> VELUX Deutschland GmbH 01806 / 33 33 99 Festnetz: 0,20 €/Anruf	<b>NL:</b> VELUX Nederland B.V. 030 - 6 629 629	
<b>DK:</b> VELUX Danmark A/S 45 16 45 16	<b>NO:</b> VELUX Norge AS 22 51 06 00	